

©2023 Hangzhou Hikvision Digital Technology Co., Ltd. All rights reserved.

**About this Manual**

The Manual includes instructions for using and managing the Product. Pictures, charts, images and all other information hereinafter are for description and explanation only. The information contained in the Manual is subject to change, without notice, due to firmware updates or other reasons. Please find the latest version of this Manual at the Hikvision website (<https://www.hikvision.com/>). Please use this Manual with the guidance and assistance of professionals trained in supporting the Product.

**Trademarks**

HIKVISION and other Hikvision's trademarks and logos are the properties of Hikvision in various jurisdictions. Other trademarks and logos mentioned are the properties of their respective owners.

**Disclaimer**

TO THE MAXIMUM EXTENT PERMITTED BY APPLICABLE LAW, THIS MANUAL AND THE PRODUCT DESCRIBED, WITH ITS HARDWARE, SOFTWARE AND FIRMWARE, ARE PROVIDED "AS IS" AND "WITH ALL FAULTS AND ERRORS". HIKVISION MAKES NO WARRANTIES, EXPRESS OR IMPLIED, INCLUDING WITHOUT LIMITATION, MERCHANTABILITY, SATISFACTORY QUALITY, OR FITNESS FOR A PARTICULAR PURPOSE. THE USE OF THE PRODUCT BY YOU IS AT YOUR OWN RISK. IN NO EVENT WILL HIKVISION BE LIABLE TO YOU FOR ANY SPECIAL, CONSEQUENTIAL, INCIDENTAL, OR INDIRECT DAMAGES, INCLUDING, AMONG OTHERS, DAMAGES FOR LOSS OF BUSINESS PROFITS, BUSINESS INTERRUPTION, OR LOSS OF DATA, CORRUPTION OF SYSTEMS, OR LOSS OF DOCUMENTATION, WHETHER BASED ON BREACH OF CONTRACT, TORT (INCLUDING NEGLIGENCE), PRODUCT LIABILITY, OR OTHERWISE, IN CONNECTION WITH THE USE OF THE PRODUCT, EVEN IF HIKVISION HAS BEEN ADVISED OF THE POSSIBILITY OF SUCH DAMAGES OR LOSS.

YOU ACKNOWLEDGE THAT THE NATURE OF THE INTERNET PROVIDES FOR INHERENT SECURITY RISKS, AND HIKVISION SHALL NOT TAKE ANY RESPONSIBILITIES FOR ABNORMAL OPERATION, PRIVACY LEAKAGE OR OTHER DAMAGES RESULTING FROM CYBER-ATTACK, HACKER ATTACK, VIRUS INFECTION, OR OTHER INTERNET SECURITY RISKS; HOWEVER, HIKVISION WILL PROVIDE TIMELY TECHNICAL SUPPORT IF REQUIRED.

YOU AGREE TO USE THIS PRODUCT IN COMPLIANCE WITH ALL APPLICABLE LAWS, AND YOU ARE SOLELY RESPONSIBLE FOR ENSURING THAT YOUR USE CONFORMS TO THE APPLICABLE LAW. ESPECIALLY, YOU ARE RESPONSIBLE, FOR USING THIS PRODUCT IN A MANNER THAT DOES NOT INFRINGE ON THE RIGHTS OF THIRD PARTIES, INCLUDING WITHOUT LIMITATION, RIGHTS OF PUBLICITY, INTELLECTUAL PROPERTY RIGHTS, OR DATA PROTECTION AND OTHER PRIVACY RIGHTS. YOU SHALL NOT USE THIS PRODUCT FOR ANY PROHIBITED END-USES, INCLUDING THE DEVELOPMENT OR PRODUCTION OF WEAPONS OF MASS DESTRUCTION, THE DEVELOPMENT OR PRODUCTION OF CHEMICAL OR BIOLOGICAL WEAPONS, ANY ACTIVITIES IN THE CONTEXT RELATED TO ANY NUCLEAR EXPLOSIVE OR UNSAFE NUCLEAR FUEL-CYCLE, OR IN SUPPORT OF HUMAN RIGHTS ABUSES.

IN THE EVENT OF ANY CONFLICTS BETWEEN THIS MANUAL AND THE APPLICABLE LAW, THE LATTER PREVAILS.

## 1 Appearance

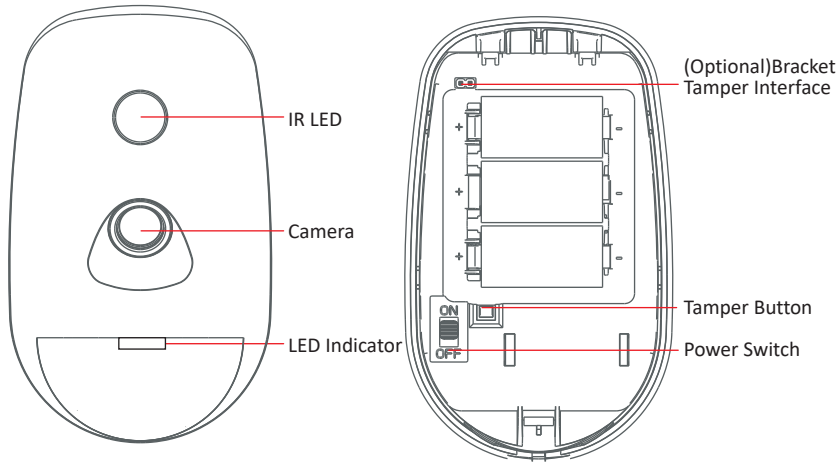
**CAUTION**

IF THE BATTERY COMPARTMENT DOES NOT CLOSE SECURELY, STOP USING THE PRODUCT AND KEEP IT AWAY FROM CHILDREN.

**CAUTION**

CHEMICAL BURNING DANGER  
DO NOT SWALLOW THE BATTERY  
KEEP NEW AND USED BATTERIES AWAY FROM THE CHILDREN.

IF YOU THINK BATTERIES MIGHT HAVE BEEN SWALLOWED OR PLACED INSIDE ANY PART OF THE BODY, SEEK IMMEDIATE MEDICAL ATTENTION.



**CAUTION**

RISK OF EXPLOSION IF BATTERY IS REPLACED BY AN INCORRECT TYPE.  
REPLACEMENT OF A BATTERY WITH AN INCORRECT TYPE THAT CAN DEFEAT A SAFEGUARD.

**CAUTION**

DISPOSE OF USED BATTERIES ACCORDING TO THE INSTRUCTIONS AND LOCAL REGULATION.

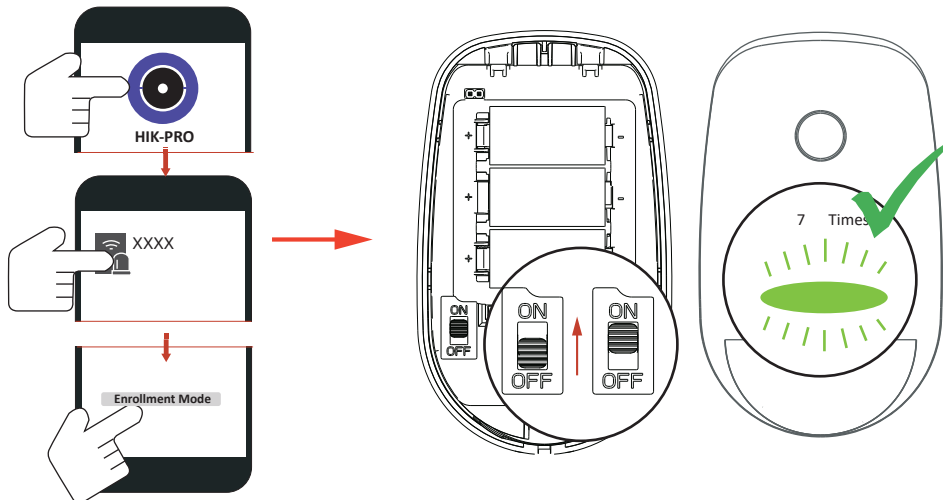
## 2 Enrollment

**Note:** The enrollment progress will be completed in 3 to 10 seconds normally.

1. Log in to the APP Store, download and install Hik-Pro.
2. Power on the security control panel.
3. Log in the APP and tap the icon "+". Scan the QR code or input the control panel serial No. to add the control panel.

### 1 Enroll the Peripheral Locally

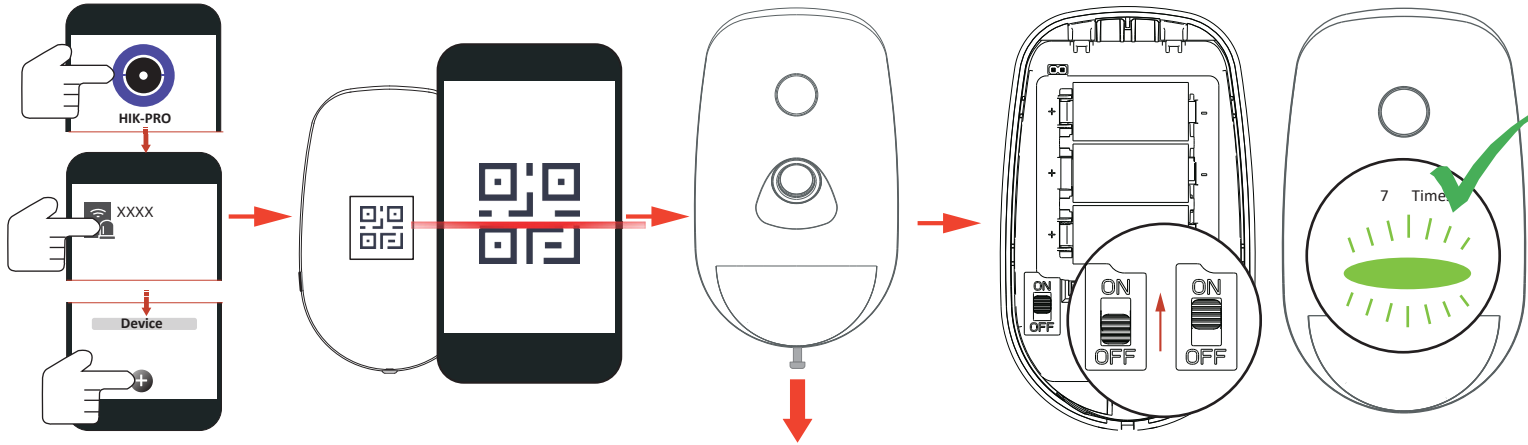
1. In the APP, tap the "Enrollment Mode" button on the control panel page to make the control panel enter the enrollment status.
2. Loosen the screw and remove rear panel.
3. Power on the peripheral, and it will be automatically enrolled to the control panel.



**Note:** make the device power off, hold the tamper switch and then power on for re-enrollment synchronously. The distance between the detector and AXPRO should be less than 50 cm.

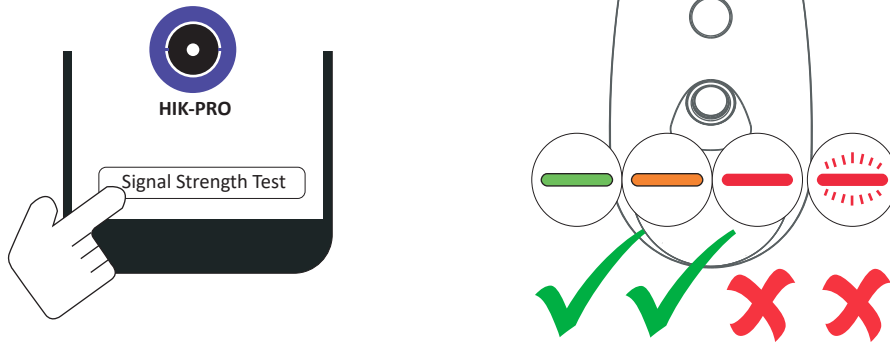
## 2 Enroll the Peripheral with QR and serial No.

1. In the APP, tap the icon "+" and scan the QR code or serial No. on the peripheral.
2. Loosen the screw and remove rear panel.
3. Power on the peripheral, and it will be automatically enrolled to the control panel.

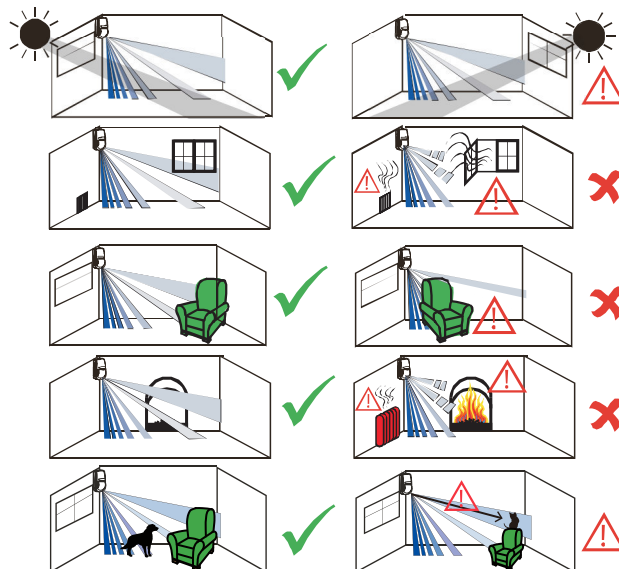


## 3 Installation

1. Check Signal Strength  
Enter the signal checking mode by operating on the control panel. Trigger the detector.  
Solid Green for 3 s - Strong Signal  
Solid Orange for 3 s - Medium Signal  
Solid Red for 3 s - Weak Signal  
Red light flashes for 3S - Failure



2. Check the installation environment

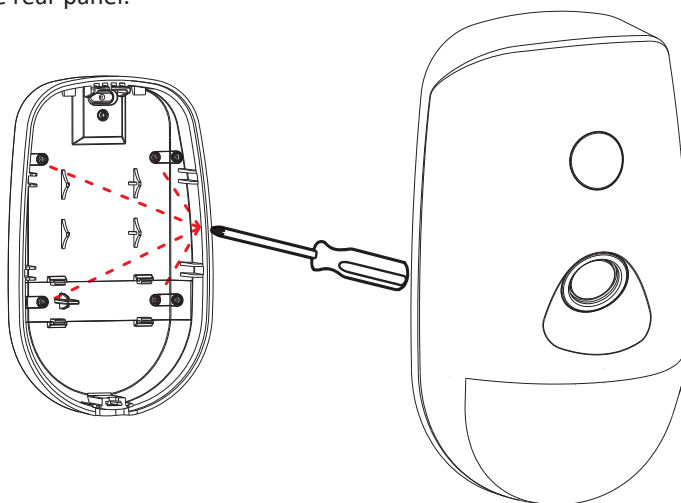


### 3. Install the Detector

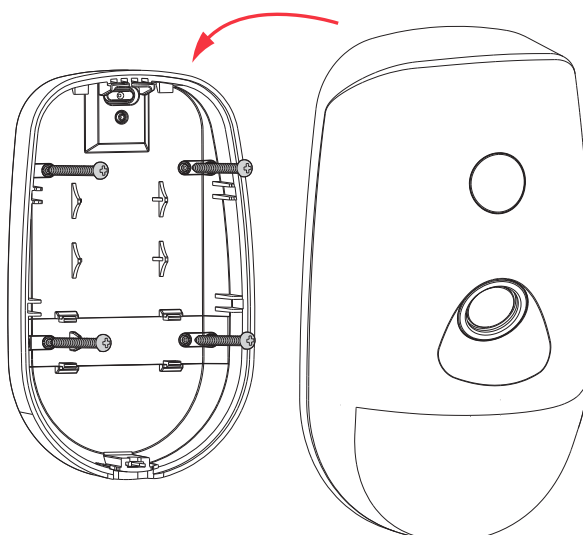
Note: The additional force shall be equal to three times the weight of the equipment but not less than 50N. The equipment and its associated mounting means shall remain secure during the installation. After the installation, the equipment, including any associated mounting plate, shall not be damaged. Make sure there is no obstacle sheltering the LENS and IR light.

#### *with Screws*

- a. Knock out the screw holes on the rear panel.

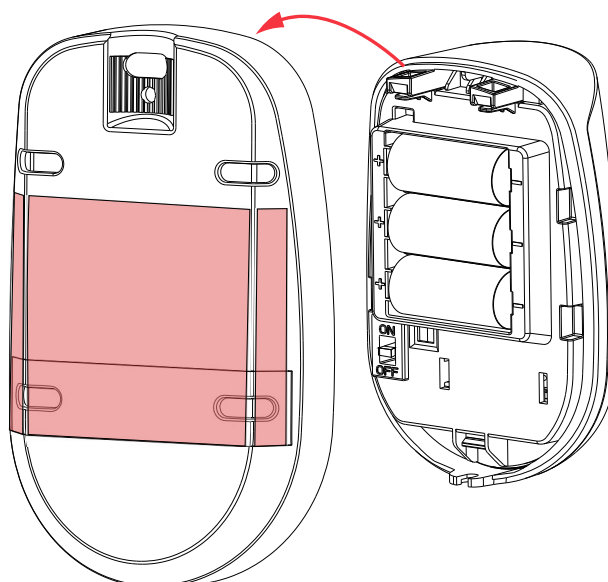


- b. Secure the rear panel on the wall with four screws.



#### *with the Sponge Tape*

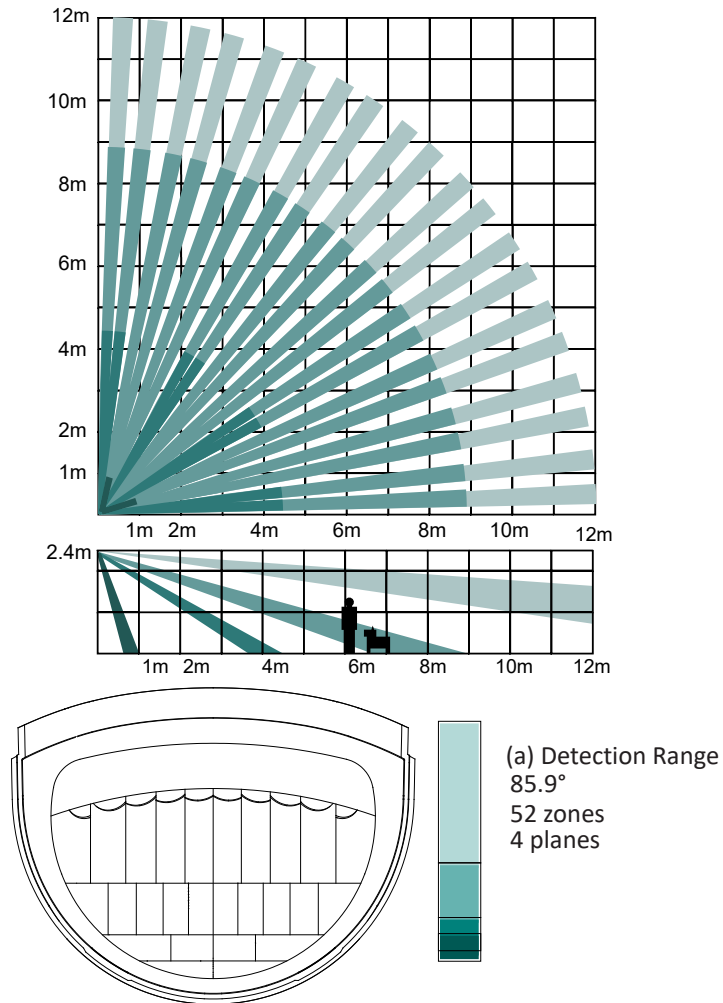
Paste the device on the wall with sponge tape.  
You can paste the detector on the wall or in the corner.



## 4 Test

### Detector zones and planes

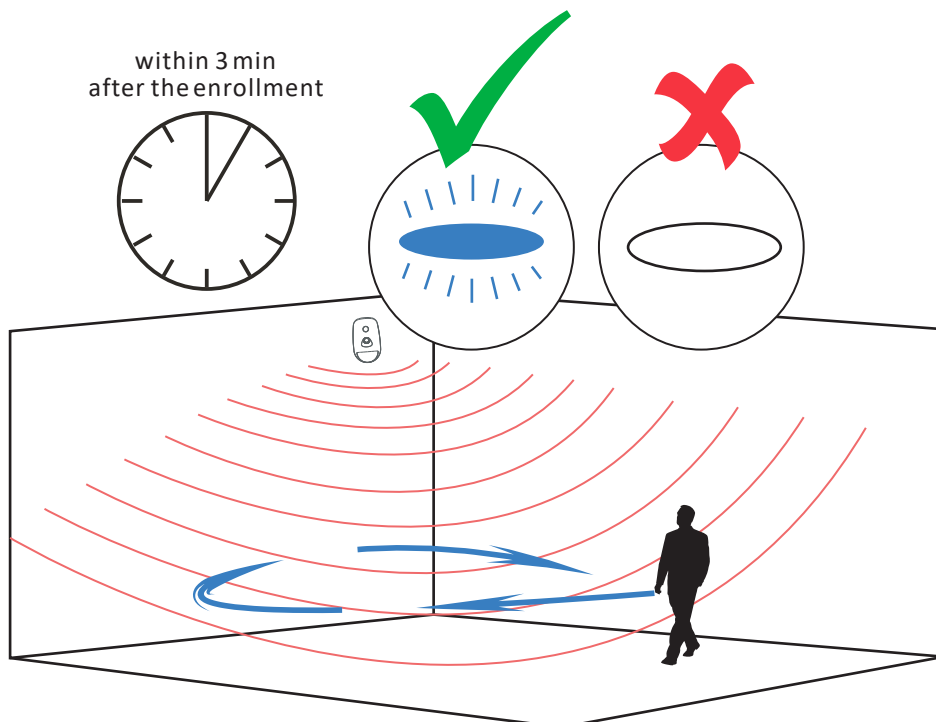
The zones and plans of the PIRCAM are shown below.



While the detector is disarmed, the detector will enter the walk test mode (within 3 minutes after being enrolled).

Trigger the detector within the detection range.

If the LED indicator turns blue, the installation position is properly. If the LED indicator is still off, adjust the position of the detector.



Note: while the detector is disarmed, power off and power on will make the detector enter the walk test mode.

## 5 Operation Caution and Device Maintenance

- All the electronic operation should be strictly compliance with the electrical safety regulations, fire prevention regulations and other related regulations in your local region.
- Do not drop the device or subject it to physical shock, and do not expose it to high electromagnetism radiation. Avoid the equipment installation on vibrations surface or places subject to shock (ignorance can cause equipment damage).
- Please make sure that the power has been disconnected before you wire, install or dismantle the device.
- If smoke, odors or noise rise from the device, turn off the power at once and unplug the power cable, and then please contact the service center.
- Do not drop the device or subject it to physical shock, and do not expose it to high electromagnetism radiation. Avoid the equipment installation on vibrations surface or places subject to shock (ignorance can cause equipment damage).
- Do not place the device in extremely hot (refer to the specification of the device for the detailed operation temperature), cold, dusty or damp locations, and do not expose it to high electromagnetic radiation.
- The device for indoor use shall be kept from rain and moisture.
- Exposing the equipment to direct sun light, low ventilation or heat source such as heater or radiator is forbidden (ignorance can cause fire danger).
- Do not aim the device at the sun or extra bright places. A blooming or smear may occur otherwise (which is not a malfunction however), and affecting the endurance of sensor at the same time.
- Improper use or replacement of the battery may result in hazard of explosion. Replace with the same or equivalent type only. Dispose of used batteries according to the instructions provided by the battery manufacturer.
- Do not expose the device to the corrosive gas. Otherwise the equipment damage may occur.
- Do not expose the device to the explosive situation.

## 6 Specification

PIR	Detection range	12m
	Coverage angle	85.9°
	Detection speed	0.3 to 2 m/s
	Creep zone protection	Supported
	Auto sensitivity	Supported
	Pet immunity	Up to 30Kg (Height<40cm)
	Digital temperature compensation	Supported
	Technology	Digital microprocessor based
	Sealed optics	Supported
	Direct light filter	6500lux
	Tamper protection	Front and back
	LED indicator	Alarm (blue)
	Encapsulated PCB	Supported
Camera	Lens coverage	DS-PDPC12P-EG2-WE/WB: 88°(H), 68°(V) DS-PDPC12P-EG2-WE(B)/WB(B): 90°(H), 70°(V)
	Auto day and night	Colour/Black & White
	IR LED	1 IR LED
	IR Range	12m
	Image type	JPEG
	Image size	160x120, 320x240, 640x480
Wireless technical characteristics	Wireless technology	CAM-X Wireless Technology
	Two-way wireless communication	Supported
	Transmission frequency	868/433 MHz
	RF range	800m (open space)
	Transmission encryption	AES encryption
	Enrolling methods	Power up, remote ID and QR code
	Signal strength indicators	Supported
Electrical and battery	Environment temperature indicator	Supported
	Battery	Lithium Battery CR123A × 3 (included), 3VDC, 1600mAh each
Environmental and operating features	Standard battery life	6 years
	Dimension (W × H × D)	72.2mm × 120.5mm × 56.7mm
	Weight	210g
	Storage temperature	-20°C to 60°C
	Operating temperature	-10 °C to 55 °C (14 °F to 131 °F) -10 °C to 40 °C (14 °F to 104 °F) EN Certified
Mounting	Operating humidity	10% to 90%
	Installation height	1.8 to 2.4m
	Bracket	Optional wall and ceiling accessory

## 7 Reference Table

1st Photo transmission time	
- 160 x 120	5s (5KB per image)
- 320 x 240	6s (10KB per image)
- 640 x 480	12s (60KB per image)
Internal memory buffer	
- 160 x 120	160 images (5KB per image)
- 320 x 240	80 images (10KB per image)
- 640 x 480	25 images (30KB per image)