



Anti-Corrosion Speed Dome

Quick Start Guide

Quick Start Guide

© 2019 Hangzhou Hikvision Digital Technology Co., Ltd. All rights reserved.

This Manual is the property of Hangzhou Hikvision Digital Technology Co., Ltd. or its affiliates (hereinafter referred to as “Hikvision”), and it cannot be reproduced, changed, translated, or distributed, partially or wholly, by any means, without the prior written permission of Hikvision. Unless otherwise expressly stated herein, Hikvision does not make any warranties, guarantees or representations, express or implied, regarding to the Manual, any information contained herein.

About this Manual

The Manual includes instructions for using and managing the Product. Pictures, charts, images and all other information hereinafter are for description and explanation only. The information contained in the Manual is subject to change, without notice, due to firmware updates or other reasons. Please find the latest version of this Manual at the Hikvision website (<http://www.hikvision.com>).

Please use this Manual with the guidance and assistance of professionals trained in supporting the Product.

Trademarks Acknowledgement

- **HIKVISION** and other Hikvision’s trademarks and logos are the properties of Hikvision in various jurisdictions.
- Other trademarks and logos mentioned are the properties of their respective owners.

LEGAL DISCLAIMER

TO THE MAXIMUM EXTENT PERMITTED BY APPLICABLE LAW, THIS MANUAL AND THE PRODUCT DESCRIBED, WITH ITS HARDWARE, SOFTWARE AND FIRMWARE, ARE PROVIDED “AS IS” AND “WITH ALL FAULTS AND ERRORS”. HIKVISION MAKES NO WARRANTIES, EXPRESS OR IMPLIED, INCLUDING WITHOUT LIMITATION, MERCHANTABILITY, SATISFACTORY QUALITY, OR FITNESS FOR A PARTICULAR PURPOSE. THE USE OF THE PRODUCT BY YOU IS AT YOUR OWN RISK. IN NO EVENT WILL HIKVISION BE LIABLE TO YOU FOR ANY SPECIAL, CONSEQUENTIAL, INCIDENTAL, OR INDIRECT DAMAGES, INCLUDING, AMONG OTHERS, DAMAGES FOR LOSS OF BUSINESS PROFITS, BUSINESS INTERRUPTION, OR LOSS OF DATA, CORRUPTION OF SYSTEMS, OR LOSS OF DOCUMENTATION, WHETHER BASED ON BREACH OF CONTRACT, TORT (INCLUDING NEGLIGENCE), PRODUCT LIABILITY, OR OTHERWISE, IN CONNECTION WITH THE USE OF THE PRODUCT, EVEN IF HIKVISION HAS BEEN ADVISED OF THE POSSIBILITY OF SUCH DAMAGES OR LOSS.

YOU ACKNOWLEDGE THAT THE NATURE OF INTERNET PROVIDES FOR INHERENT SECURITY RISKS, AND HIKVISION SHALL NOT TAKE ANY RESPONSIBILITIES FOR ABNORMAL OPERATION, PRIVACY LEAKAGE OR OTHER DAMAGES RESULTING FROM CYBER-ATTACK, HACKER ATTACK, VIRUS INSPECTION, OR OTHER INTERNET SECURITY RISKS; HOWEVER, HIKVISION WILL PROVIDE TIMELY TECHNICAL SUPPORT IF REQUIRED. YOU AGREE TO USE THIS PRODUCT IN COMPLIANCE WITH ALL APPLICABLE LAWS, AND YOU ARE SOLELY RESPONSIBLE FOR ENSURING THAT YOUR USE CONFORMS TO THE APPLICABLE LAW. ESPECIALLY, YOU ARE RESPONSIBLE, FOR USING THIS PRODUCT IN A MANNER THAT DOES NOT INFRINGE ON THE RIGHTS OF THIRD PARTIES, INCLUDING WITHOUT LIMITATION, RIGHTS OF PUBLICITY, INTELLECTUAL PROPERTY RIGHTS, OR DATA PROTECTION AND OTHER PRIVACY RIGHTS. YOU SHALL NOT USE THIS PRODUCT FOR ANY PROHIBITED END-USES, INCLUDING THE DEVELOPMENT OR PRODUCTION OF WEAPONS OF MASS DESTRUCTION, THE DEVELOPMENT OR PRODUCTION OF CHEMICAL OR BIOLOGICAL WEAPONS, ANY ACTIVITIES IN THE CONTEXT RELATED TO ANY NUCLEAR EXPLOSIVE OR UNSAFE NUCLEAR FUEL-CYCLE, OR IN SUPPORT OF HUMAN RIGHTS ABUSES.

IN THE EVENT OF ANY CONFLICTS BETWEEN THIS MANUAL AND THE APPLICABLE LAW, THE LATER PREVAILS.

Regulatory Information

FCC Information

FCC compliance: This equipment has been tested and found to comply with the limits for a Class A digital device, pursuant to part 15 of the FCC Rules. These limits are designed to provide reasonable protection against harmful interference when the equipment is operated in a commercial environment. This equipment generates, uses, and can radiate radio frequency energy and, if not installed and used in accordance with the instruction manual, may cause harmful interference to radio communications.

Operation of this equipment in a residential area is likely to cause harmful interference in which case the user will be required to correct the interference at his own expense.

FCC Conditions

This device complies with part 15 of the FCC Rules. Operation is subject to the following two conditions:

1. This device may not cause harmful interference.
2. This device must accept any interference received, including interference that may cause undesired operation

EU Conformity Statement



This product and - if applicable - the supplied accessories too are marked with "CE" and comply therefore with the applicable harmonized European standards listed under the EMC Directive 2004/108/EC, the RoHS Directive

2011/65/EU.



2012/19/EU (WEEE directive): Products marked with this symbol cannot be disposed of as unsorted municipal waste in the European Union. For proper recycling, return this product to your local supplier upon the purchase of equivalent new equipment, or dispose of it at designated collection points.

For more information see: www.recyclethis.info.



2006/66/EC (battery directive): This product contains a battery that cannot be disposed of as unsorted municipal waste in the European Union. See the product documentation for specific battery information. The battery is marked with this symbol, which may include lettering to indicate cadmium (Cd), lead (Pb), or mercury (Hg). For proper recycling, return the battery to

your supplier or to a designated collection point. For more information see:

www.recyclethis.info.

Industry Canada ICES-003 Compliance

This device meets the CAN ICES-3 (A)/NMB-3(A) standards requirements.



Safety Instruction

These instructions are intended to ensure that user can use the product correctly to avoid danger or property loss.

The precaution measure is divided into **Warnings** and **Cautions**:

Warnings: Neglecting any of the warnings may cause serious injury or death.

Cautions: Neglecting any of the cautions may cause injury or equipment damage.

	
Warnings Follow these safeguards to prevent serious injury or death.	Cautions Follow these precautions to prevent potential injury or material damage.



Warnings

- All the electronic operation should be strictly compliance with the electrical safety regulations, fire prevention regulations and other related regulations in your local region.
- Please use the power adapter, which is provided by normal company. The power consumption cannot be less than the required value.
- Do not connect several devices to one power adapter as adapter overload may cause over-heat or fire hazard.
- Please make sure that the power has been disconnected before you wire, install or dismantle the speed dome.
- When the product is installed on wall or ceiling, the device shall be firmly fixed.
- If smoke, odors or noise rise from the device, turn off the power at once and unplug the power cable, and then please contact the service center.
- If the product does not work properly, please contact your dealer or the nearest service center. Never attempt to disassemble the speed dome yourself. (We shall not assume any responsibility for problems caused by unauthorized repair or maintenance.)
- Please do not look directly into the laser light within 6 meters because laser is hazardous to humans.



Cautions

- Do not drop the dome or subject it to physical shock, and do not expose it to high electromagnetism radiation. Avoid the equipment installation on vibrations surface or places subject to shock (ignorance can cause equipment damage).
- Do not place the speed dome in extremely hot (refer to the specification of the device for the detailed operating temperature), cold, dusty or damp locations, and do not expose it to high electromagnetic radiation.

- The dome cover for indoor use shall be kept from rain and moisture.
- Exposing the equipment to direct sun light, low ventilation or heat source such as heater or radiator is forbidden (ignorance can cause fire danger).
- Do not aim the speed dome at the sun or extra bright places. A blooming or smear may occur otherwise (which is not a malfunction however), and affecting the endurance of sensor at the same time.
- Please use the provided glove when open up the dome cover, avoid direct contact with the dome cover, because the acidic sweat of the fingers may erode the surface coating of the dome cover.
- Please use a soft and dry cloth when clean inside and outside surfaces of the dome cover, do not use alkaline detergents.
- Please keep all wrappers after unpack them for future use. In case of any failure occurred, you need to return the speed dome to the factory with the original wrapper. Transportation without the original wrapper may result in damage on the speed dome and lead to additional costs.
- Improper use or replacement of the battery may result in hazard of explosion. Replace with the same or equivalent type only. Dispose of used batteries according to the instructions provided by the battery manufacturer.
L'utilisation ou le remplacement inadéquats de la pile peuvent entraîner un risque d'explosion. Remplacez-la par le même type ou l'équivalent du même type seulement. Jetez les piles usagées conformément aux directives fournies par le fabricant de la pile.

Table of Contents

1 Overview	1
2 Installation	3
2.1 Installing Memory Card.....	3
2.2 Interfaces of Type I Gang Box	5
2.3 Wall Mounting.....	6
2.3.1 Installing the Speed Dome with Type I Gang Box.....	7
2.3.2 Installing the Speed Dome with Type II Gang Box.....	10
2.4 Pendent Mounting.....	13
2.4.1 Installing the Speed Dome with Type I Gang Box.....	13
2.4.2 Installing the Speed Dome with Type II Gang Box.....	16
2.5 Protective Measures for Outdoor Installation	20
3 Activate and Access Network Speed Dome	21

1 Overview

Turn the power off before connect the cables.

Refer to the figure below for the cable interfaces of the anti-corrosion speed dome and the location of memory card slot.

Note: The location of memory card slot varies on different products. There are three possible locations.

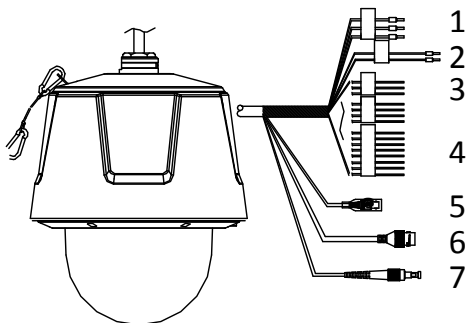


Figure 1-1 Cable Interface of the Anti-Corrosion Speed Dome

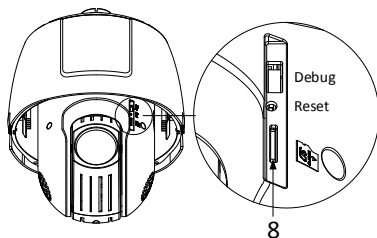


Figure 1-2 Type I Memory Card Slot

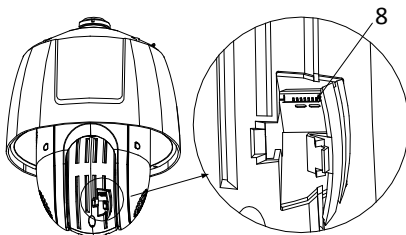


Figure 1-3 Type II Memory Card Slot

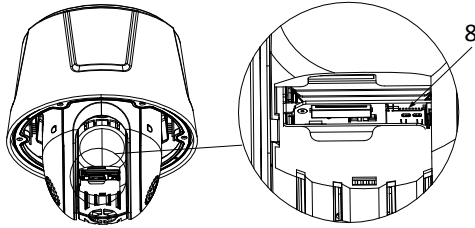


Figure 1-4 Type III Memory Card Slot

Table 1-1 Descriptions of Cable Interface

No.	Description
1	Power Cable
2	RS-485
3	Audio Cable
4	Alarm Cable
5	Video Cable
6	Network Cable
7	Optical Fiber
8	Memory Card Slot

2 Installation

Before you start:

- Make sure the device in the package is in good condition and all the assembly parts are included.
- The standard power supply is 24V AC or 36V DC. Make sure your power supply matches with your speed dome.
- Make sure all the related equipment is power-off during the installation.
- Check the specification of the products for the installation environment.
- Make sure that the wall is strong enough to withstand four times the weight of the speed dome and the bracket.



Do not drag the speed dome with its waterproof cables as shown in Figure 2-1, otherwise the waterproof performance is affected.

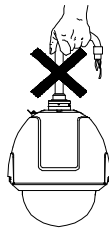


Figure 2-1 Do Not Drag the Cables

2.1 Installing Memory Card

Purpose:

The speed domes are with built-in memory card slots which are for local storage with memory cards. There are three types of memory card installation listed as follows.

Before you start:

Turn off the power of the speed dome before connecting the cables.

Steps:

1. Loosen the 4 lock screws on the flange of the speed dome.

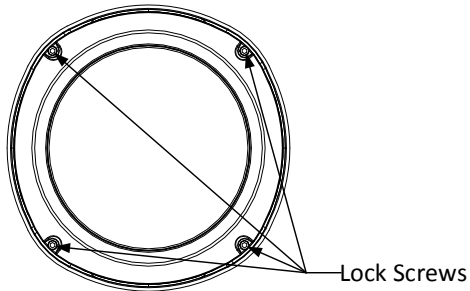


Figure 2-2 Loosen the Lock Screws



Do not remove the lock screws from the dome.

2. Pull the lower dome to separate it from the back box, and remove the protective foam, sticker and lens cover from the dome drive.

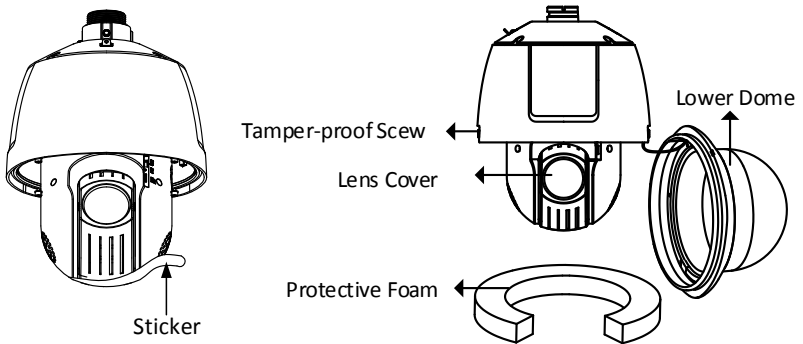


Figure 2-3 Remove the Protective Elements

3. Install the memory card of the speed dome.

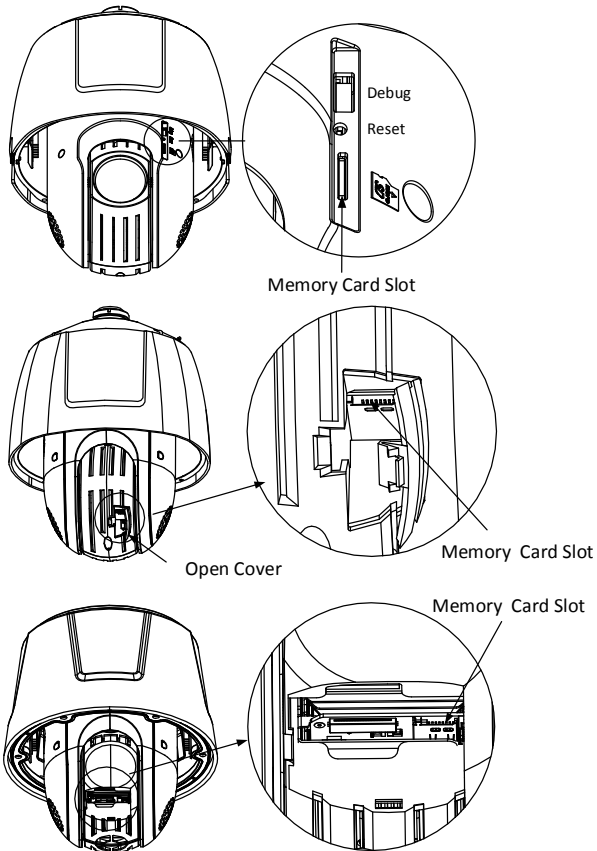


Figure 2-4 Install the Memory Card

4. Align the cuts on the lower dome with the lock screws on the back box to reinstall the lower dome. Tighten the lock screws.
5. Drill 4 screw holes in the wall according to the holes of the bracket, and then insert M8 screws into the mounting holes.

2.2 Interfaces of Type I Gang Box

3 custom cable holes are reserved on the gang box so that you can connect the speed dome with your own cables. For the anti-corrosion function, accomplish the installation of cables according to the following steps:

Steps:

1. Remove the cover of the gang box and loosen the hex screws with the wrench (supplied with device). Poke the sealing plug out of the gang box.
2. Route the cables through the connectors. Make sure each cable is routed through one cable hole only and all terminals are tightly sealed with waterproof adhesive, as shown in Figure 2-5.
3. After connecting the cables, secure the hex screws with the wrench.

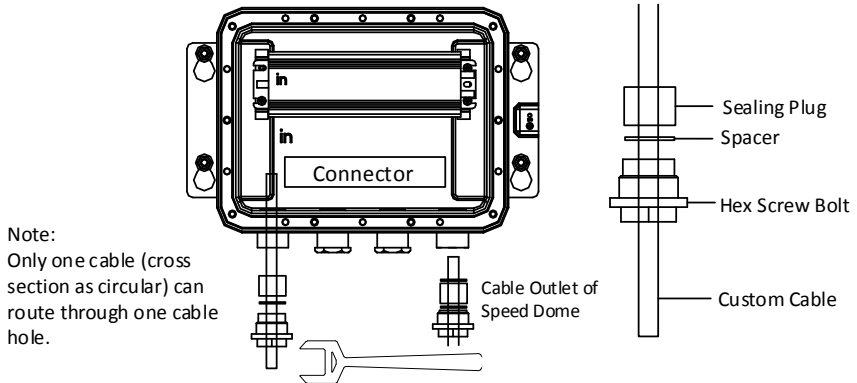


Figure 2-5 Interface of Custom Cables



For the anti-corrosion function, we provide you with sealing plugs of different dimensions. Select the appropriate sealing plug according to your cable.

2.3 Wall Mounting



- For cement wall, you need to use the expansion screw to fix the bracket. The mounting hole of the expansion pipe on the wall should align with the mounting hole on the bracket.
- For wooden wall, you can just use the self-tapping screw to fix the bracket.
- Make sure that the wall is strong enough to withstand more than 8 times the weight of the dome and the bracket.
- The bracket in Figure 2-7 is the recommended bracket for this series of speed dome, and a pendant adapter is required if any other bracket is selected. The dimension of pendant adapter is $G1\frac{1}{2}$.

2.3.1 Installing the Speed Dome with Type I Gang Box

Steps:

1. Get the installation plate and screws from the packing box.
2. Attach the installation plate onto the wall and drill 4 $\phi 14$ screw holes in the wall according to the hole sites of the installation plate.
3. Fix the installation plate and insert M10 \times 80 expansion screws into the screw holes, as shown in Figure 2-6.

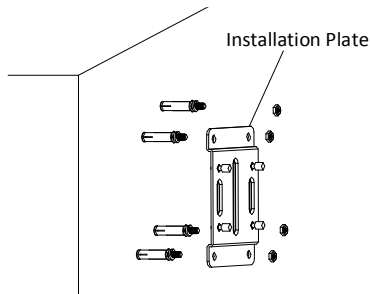


Figure 2-6 Attach the Installation Plate

4. Install the speed dome to the bracket.
 - 1) Hang the safety rope to the speed dome and then hook on the bracket.
 - 2) Connect the corresponding cables and route the cables of the speed dome through the bracket.

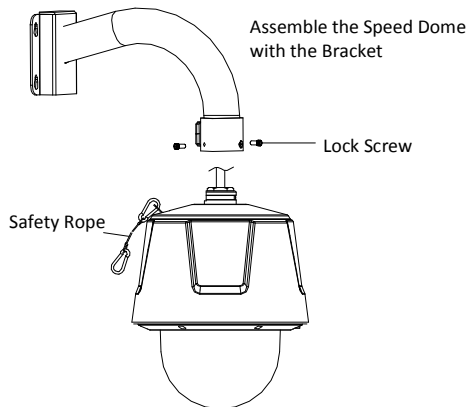


Figure 2-7 Assemble the Speed Dome with Bracket

- 3) Loosen the two lock screws on the bracket.
- 4) Install the speed dome to the bracket. Rotate the speed dome (clockwise or anticlockwise) tightly.
- 5) Secure the two lock screws with the Allen wrench as shown in Figure 2-8.

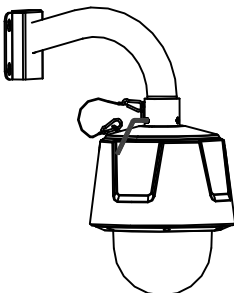


Figure 2-8 Secure the Speed Dome

5. Install the speed dome with the installation plate.

- 1) Hook the bracket onto the installation plate through the screw holes of the bracket.

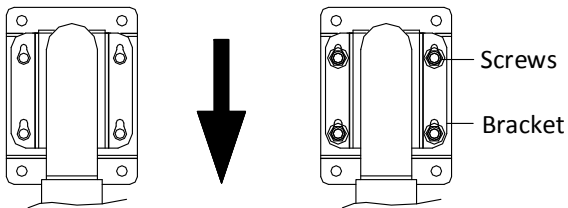


Figure 2-9 Fix the Installation Plate

- 2) Push the bracket according to the direction of the arrow.

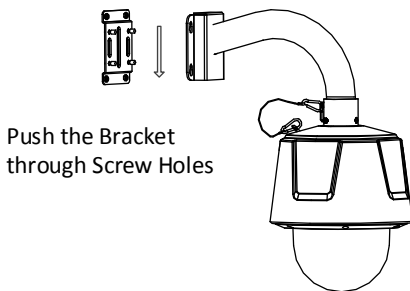


Figure 2-10 Install the Speed Dome

- 3) Secure the screw nuts to fix the bracket.

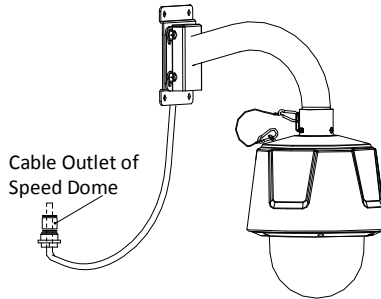


Figure 2-11 Fix the Speed Dome

6. Install and fix the gang box.

1) Drill 4 φ9 screw holes for expansion screws as shown in Figure 2-12.

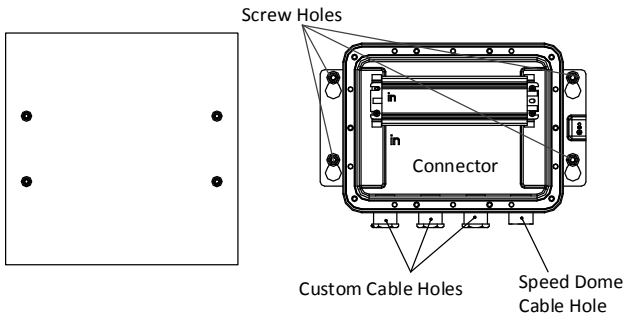


Figure 2-12 Install the Gang Box Type I

- 2) Insert M8 screws into the gang box through the screw holes and fix the gang box.
- 3) Route the cables through the connectors. Make sure each cable is routed through one cable hole only and all terminals are tightly sealed with waterproof adhesive.

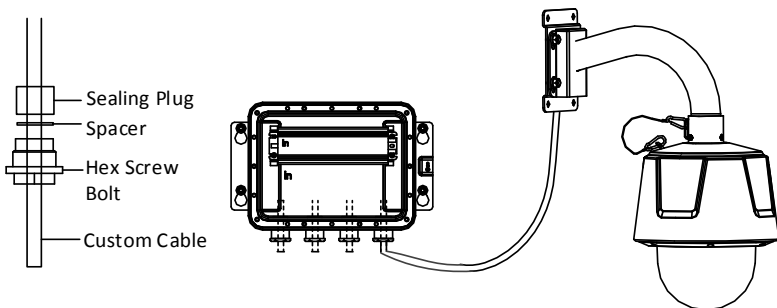


Figure 2-13 Connect the Cable

- 4) After connecting the cables, fix the cover with screws to accomplish the installation.

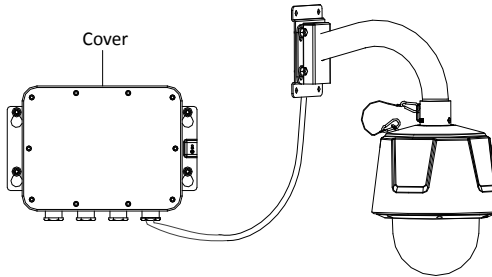


Figure 2-14 Accomplish the Installation



- The gang box should be installed close to the anti-corrosion speed dome. Select the appropriate installing site according to the cable length.
- 3 custom cable holes are reserved on the gang box for further use. For detailed information, refer to 2.2 Interfaces of Type I Gang Box.

2.3.2 Installing the Speed Dome with Type II Gang Box

3 custom cable holes are reserved on the gang box for further use. For detailed information, refer to 2.1 installing the Speed Dome with Type II Gang Box.

Steps:

1. Get the installation plate and screws from the packing box.
2. Attach the installation plate onto the wall and drill 4 $\phi 14$ screw holes in the wall according to the hole sites of the installation plate.
3. Fix the installation plate and insert M10 \times 80 expansion screws into the screw holes, as shown in Figure 2-9.

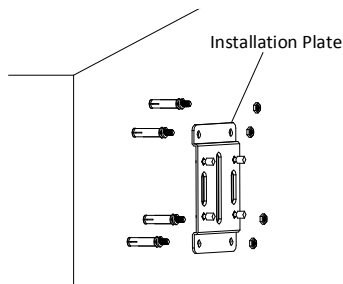


Figure 2-15 Attach the Installation Plate

4. Install the speed dome with the installation plate.
 - 1) Hook the bracket onto the installation plate through the screw holes of the bracket.

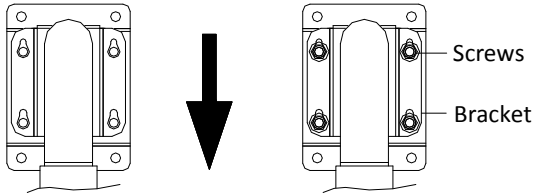


Figure 2-16 Fix the Installation Plate

- 2) Make sure the cables getting through the bracket, as shown in Figure 2-17.

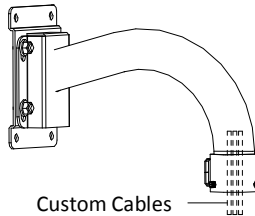


Figure 2-17 Getting the Cables through the Bracket

5. Install the speed dome to the bracket with type II gang box.

- 1) Install the Type II gang box to the bracket and route the custom cables from the bracket through the top of the gang box.

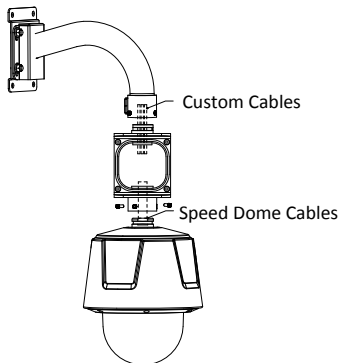


Figure 2-18 Assemble the Type II Gang Box and the Bracket

- 2) Install the speed dome to the gang box and hang the safety rope to hook the speed dome on the bracket.
- 3) Route the cables through the connectors. Make sure each cable is routed through one cable hole only and all terminals are tightly sealed with waterproof adhesive.

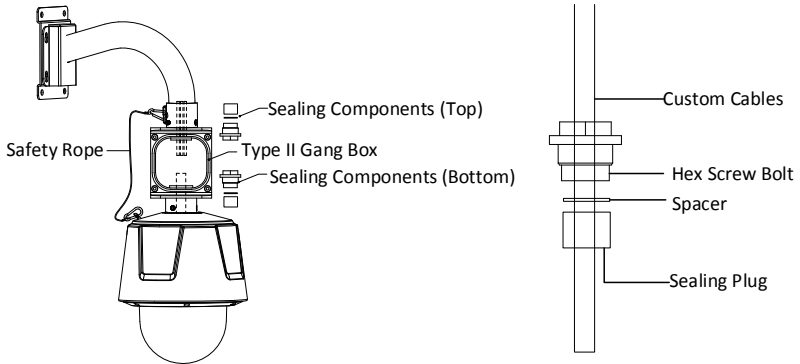


Figure 2-19 Assemble the Type II Gang Box with the Speed Dome

- 4) Insert the sealing components into the gang box in order, as shown in Figure 2-19.
- 5) Secure the lock screws with the Allen wrench to fix the speed dome.

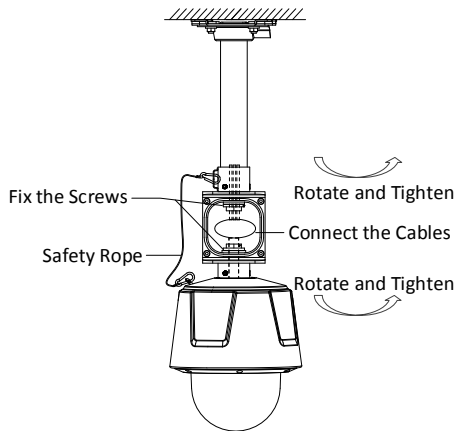


Figure 2-20 Fix the Screws and Connect the Cables

- 6) Connect the corresponding cables inside the gang box.
- 7) Seal the gang box to accomplish the installation.



- The bracket in Figure 2-17 is the recommended bracket for this series of speed dome, and a pendent adapter is required if any other bracket is selected. See Figure 2-21.
- The dimension of pendent adapter is $G1\frac{1}{2}$.

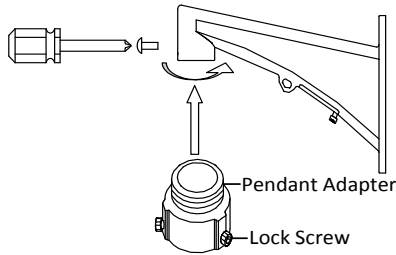


Figure 2-21 Pendant Adapter

2.4 Pendent Mounting



The ceiling mounting is only applicable to the indoor models of 5-inch speed dome.

Before you start:

The ceiling mounting is applicable to the indoor/outdoor solid ceiling construction. The followings are the mandatory precondition for ceiling mounting:

- The thickness of the ceiling must range from 5 to 40mm.
- The ceiling must be strong enough to withstand more than 4 times the weight of the dome and its accessories.

2.4.1 Installing the Speed Dome with Type I Gang Box

Steps:

1. Get the installation plate and screws from the packing box.
2. Attach the installation plate onto the ceiling and drill 4 $\phi 14$ screw holes in the wall according to the hole sites of the installation plate.
3. Fix the installation plate and insert M10 \times 80 expansion screws into the screw holes, as shown in Figure 2-22.

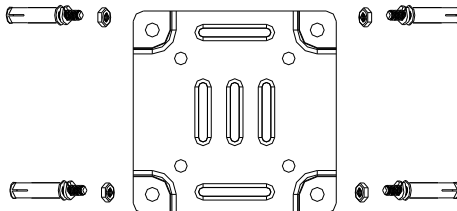


Figure 2-22 Attach the Installation Plate

4. Install the speed dome to the bracket.
 - 1) Hang the safety rope to the speed dome and then hook on the bracket.

- 2) Connect the corresponding cables and route the cables of the speed dome through the bracket.

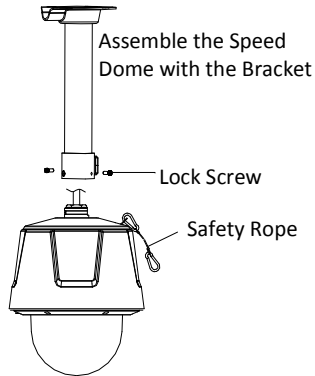


Figure 2-23 Assemble the Speed Dome with Bracket

- 3) Loosen the two lock screws on the bracket.
- 4) Install the speed dome to the bracket. Rotate the speed dome (clockwise or anticlockwise) tightly.
- 5) Secure the two lock screws with the Allen wrench as shown in Figure 2-24.



Figure 2-24 Secure the Speed Dome

1. Install the speed dome with the installation plate.
 - 1) Hook the bracket onto the installation plate through the screw holes of the bracket.

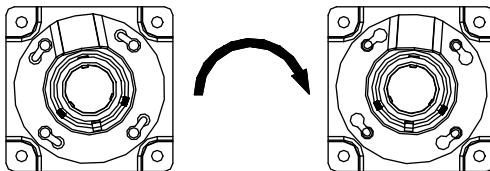


Figure 2-25 Fix the Installation Plate

- 2) Rotate the bracket according to the direction of the arrow (clockwise) to the end to make sure the speed dome is stable.
- 3) Secure the screw nuts to fix the bracket.

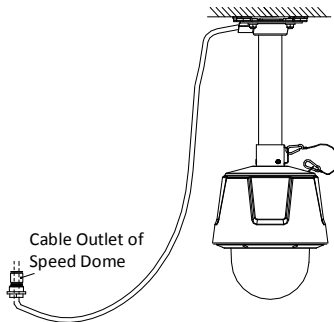


Figure 2-26 Fix the Speed Dome

2. Install and fix the gang box.
 - 1) Drill 4 $\phi 9$ screw holes for expansion screws as shown in Figure 2-27.

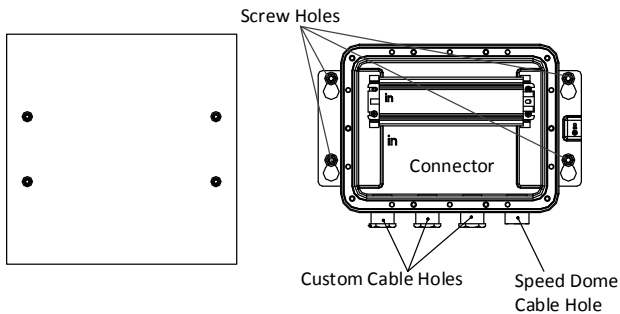


Figure 2-27 Install the Gang Box Type I

- 2) Insert M8 screws into the gang box through the screw holes and fix the gang box.
- 3) Route the cables through the connectors. Make sure each cable is routed through one cable hole only and all terminals are tightly sealed with waterproof adhesive.



- For cement wall, you need to use the expansion screw to fix the bracket. The mounting hole of the expansion pipe on the wall should align with the mounting hole on the bracket.
- For wooden wall, you can just use the self-tapping screw to fix the bracket.
- Make sure that the wall is strong enough to withstand at least 8 times the weight of the dome and the bracket.

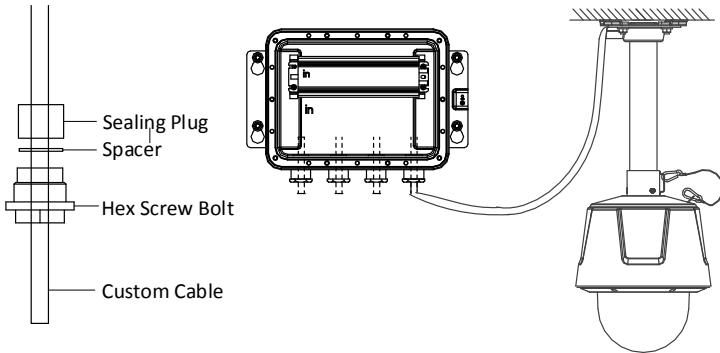


Figure 2-28 Connect the Cable

- 4) After connecting the cables, fix the cover with screws to accomplish the installation.

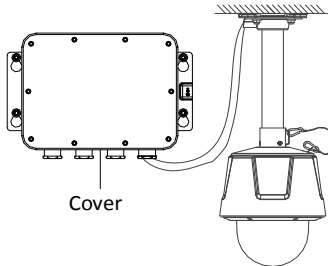


Figure 2-29 Accomplish the Installation



- The gang box should be installed close to the anti-corrosion speed dome. Select the appropriate installing site according to the cable length.
- 3 custom cable holes are reserved on the gang box for further use. For detailed information, refer to 2.2 Interfaces of Type I Gang Box.

2.4.2 Installing the Speed Dome with Type II Gang Box

Steps:

1. Get the installation plate and screws from the packing box.
2. Attach the installation plate onto the ceiling and drill 4 $\phi 14$ screw holes in the wall according to the hole sites of the installation plate.
3. Fix the installation plate and insert M10 \times 80 expansion screws into the screw holes, as shown in Figure 2-30.

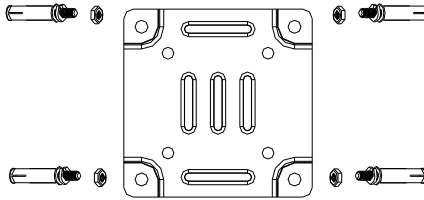


Figure 2-30 Attach the Installation Plate

4. Install the speed dome to the bracket with type II gang box.
 - 1) Hook the bracket onto the installation plate through the screw holes of the bracket.

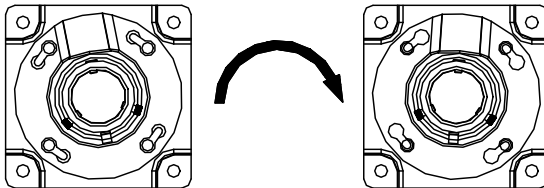


Figure 2-31 Fix the Installation Plate

- 2) Rotate the bracket according to the direction of the arrow (clockwise) to the end to make sure the speed dome is stable.
 - 3) Secure the screw nuts to fix the bracket and make sure the custom cables route through the bracket.

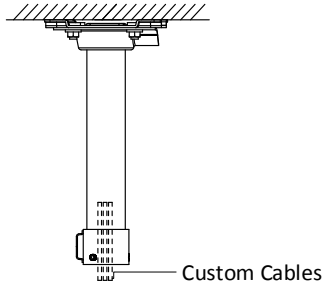


Figure 2-32 Fix the Bracket



- For cement wall, you need to use the expansion screw to fix the bracket. The mounting hole of the expansion pipe on the wall should align with the mounting hole on the bracket.
- For wooden wall, you can just use the self-tapping screw to fix the bracket.
- Make sure that the wall is strong enough to withstand at least 8 times the weight

of the dome and the bracket.

- 4) Install the Type II gang box to the bracket and route the custom cables from the bracket through the top of the gang box.

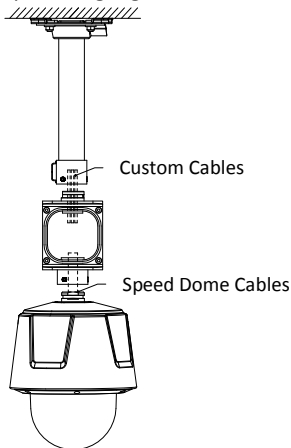


Figure 2-33 Assemble the Speed Dome with Bracket

- 5) Install the speed dome to the gang box and hang the safety rope to hook the speed dome on the bracket.
- 6) Route the cables through the connectors. Make sure each cable is routed through one cable hole only and all terminals are tightly sealed with waterproof adhesive.

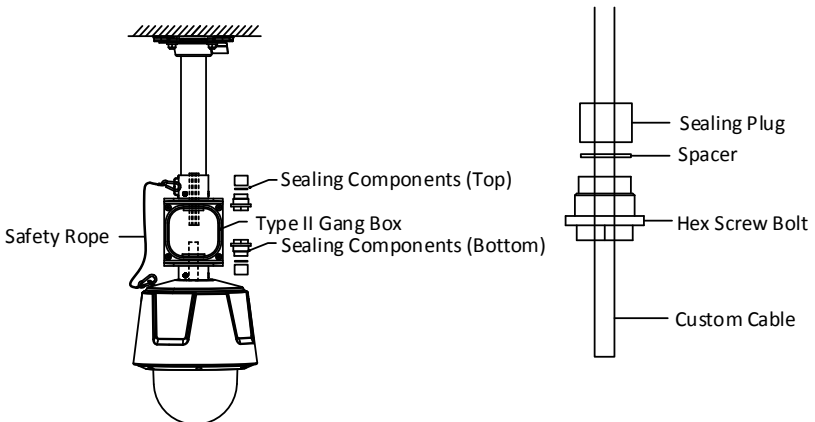


Figure 2-34 Assemble the Type II Gang Box with the Speed Dome

- 7) Insert the sealing components into the gang box in order, as shown in Figure 2-34.

8) Secure the lock screws with the Allen wrench to fix the speed dome.

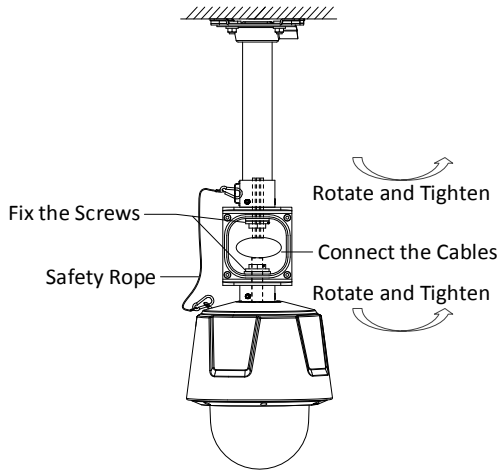


Figure 2-35 Fix the Screws and Connect the Cables

9) Connect the corresponding cables inside the gang box.

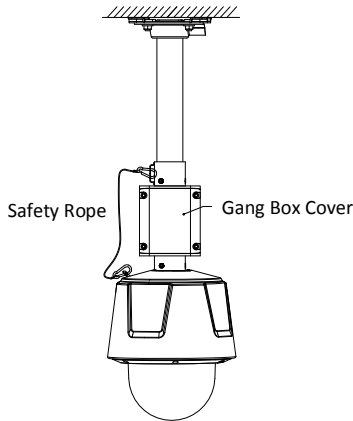


Figure 2-36 Seal the Gang Box

10) Seal the gang box to accomplish the installation.



- The bracket in Figure 2-32 is the recommended bracket for this series of speed dome, and a pendent adapter is required if any other bracket is selected. See Figure 2-21.

- The dimension of pendant adapter is $G1\frac{1}{2}$.

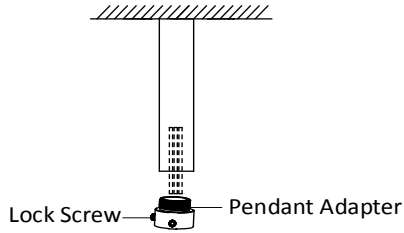


Figure 2-37 Pendant Adapter

2.5 Protective Measures for Outdoor Installation

If the device is installed outdoors, necessary protective measures should be taken to ensure safety. Scan the following QR code to get protective measures for outdoor installation.



3 Activate and Access Network Speed Dome

Scan the QR code to get *Activate and Visit Network Camera*. Note that mobile data charges may apply if Wi-Fi is unavailable.



