

# KX10DP

## 10m Digital Pet PIR Detector



EN50131-2-2:2008  
EN50131-1:2006+A1:2009  
PD6662:2010



Security Grade (SG) 2  
Environmental Class (EC) II

### ENGLISH (Diagram references)

- 1 A Printed Circuit Board (PCB)    D Lens holder    G Casing screw
  - B LED light pipe / diffuser    E PCB screw
  - C Lens    F Captive nut
- 2 PCB configuration (Including PIR sensitivity)
- 3 Mounting Options
- 4 **EOL Resistor Headers:** The KX10DP has 2 sets of header pins (as shown). These headers are used to select the End of Line resistance for EOL wiring applications. **NOTE: If EOL wiring is not used, leave the headers OFF.**
- 5 **Remote LED Enable:** This is used when the LED is disabled via the LED ON/OFF link. To enable this feature the LED terminal needs to be connected to an output on the control panel. When the system is in walk test mode the output should be at 0v. For Pyronix panels the output would usually be programmed as 'Remote LED enable'.
- 6 A N/C - Normally Closed Wiring (EXAMPLE ONLY, SEE CONTROL PANEL INSTRUCTIONS)
- B PCX DEOL Wiring (EXAMPLE ONLY, SEE CONTROL PANEL INSTRUCTIONS)
- C EURO DEOL Wiring (EXAMPLE ONLY, SEE CONTROL PANEL INSTRUCTIONS)
- D Generic Control Panel (shows resistor locations)
- E 2x Double End of Line Detectors to One Input (SEE CONTROL PANEL INSTRUCTIONS)

7 **Powering Up:** When the detector is first powered up, it will run through a self-test routine (indicated by the flashing blue LED). Once the LED goes out the detector is ready to use.

8 The 10m Pet Lens.    9 Dimensions and Weight

### Technical Specification

Model: KX10DP  
 Colour: White  
 LED Colour: Blue  
 Casing: 3mm ABS, 0.4mm HDPE in lens area  
 Detection Method: Digital Signal Processing  
 PIR Sensitivity: Auto (Default), Low  
 Max Pet Tolerance: 24Kg (55lbs)  
 Temperature Compensation: Digital  
 Detection Range: 10m  
 Detection Speed: 0.3 - 3.0 m/s  
 Operating Voltage: 9 - 16V DC 13.8V DC typical  
 Current Consumption: 13mA @ 12V (Min), 16mA @ 12V (Max)  
 Relay Output: 50mA 60V DC, 42VAC (RMS)  
 Contact Resistance: < 10 ohms  
 Mounting Height: 1.8 - 2.4m (mount at 2.1m for INCERT)  
 Tamper Switch: 12V 50mA  
 Storage Temperature: -40°C to 80°C  
 Certified Operating Temperature: -10°C to 40°C  
 Nominal Working Temperature: -30°C to 70°C  
 Accessories: Wall and Ceiling brackets  
 Emissions: EN55022 Class B  
 Immunity: EN50130-4

### Warranty

This product is sold subject to our standard warranty conditions and is warranted against defects in workmanship for a period of five years.  
 For further warranty information visit: [www.pyronix.com/warranty](http://www.pyronix.com/warranty)

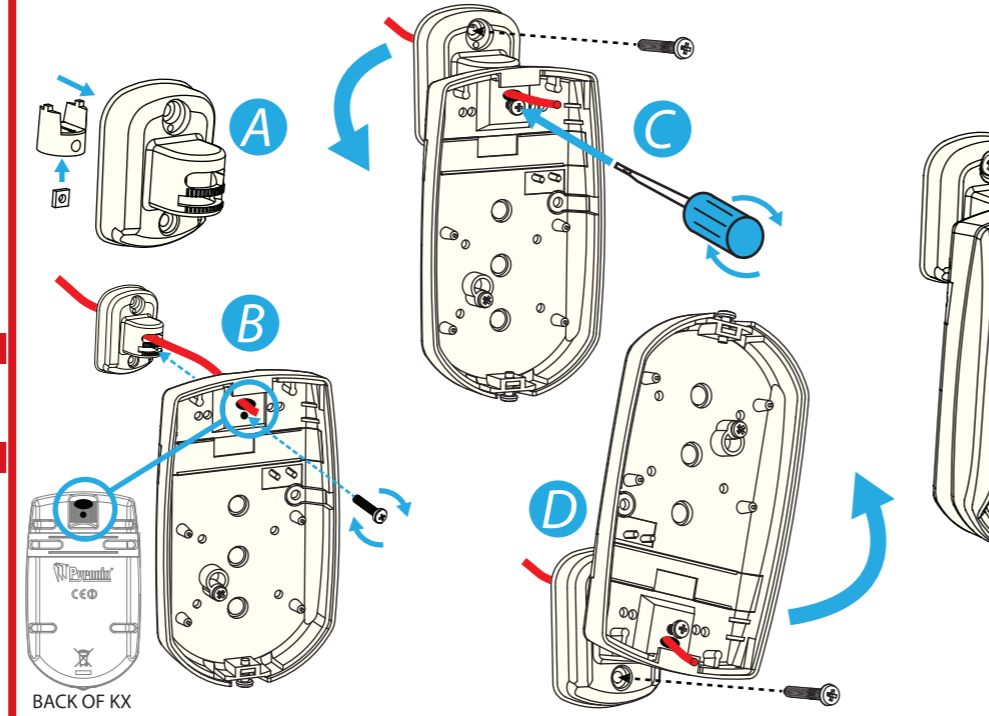
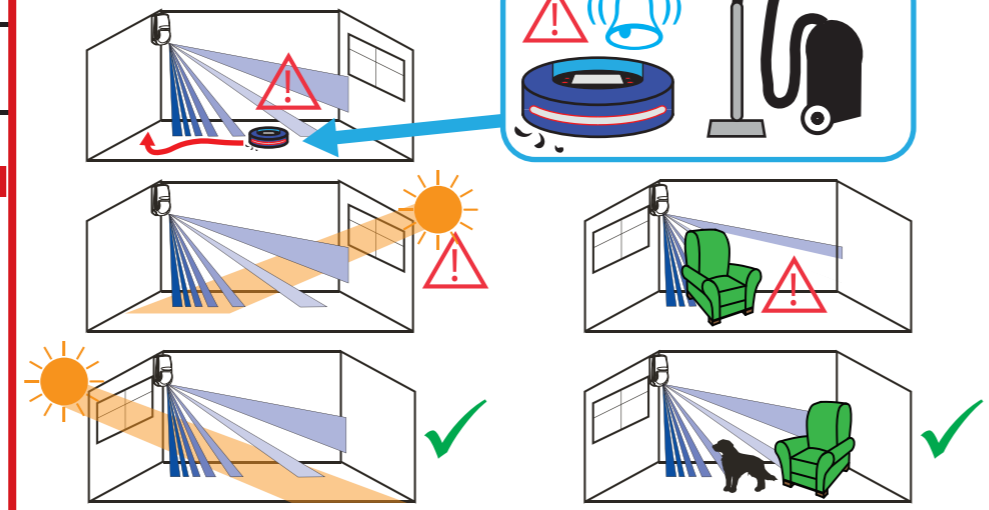
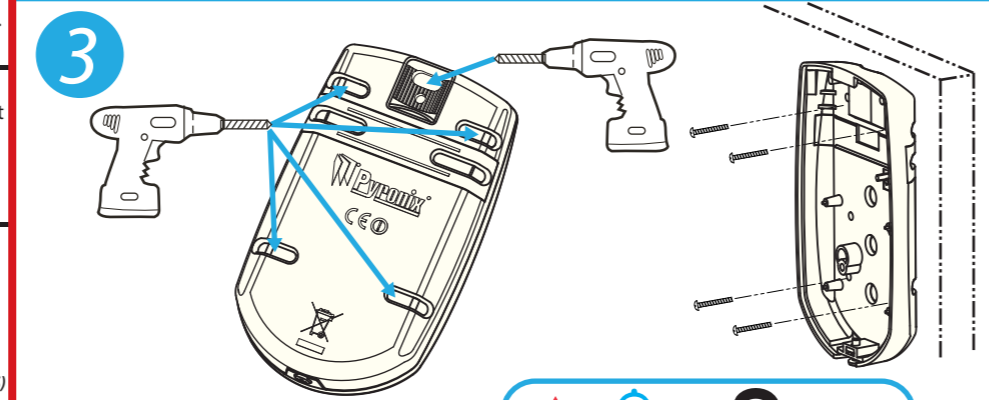
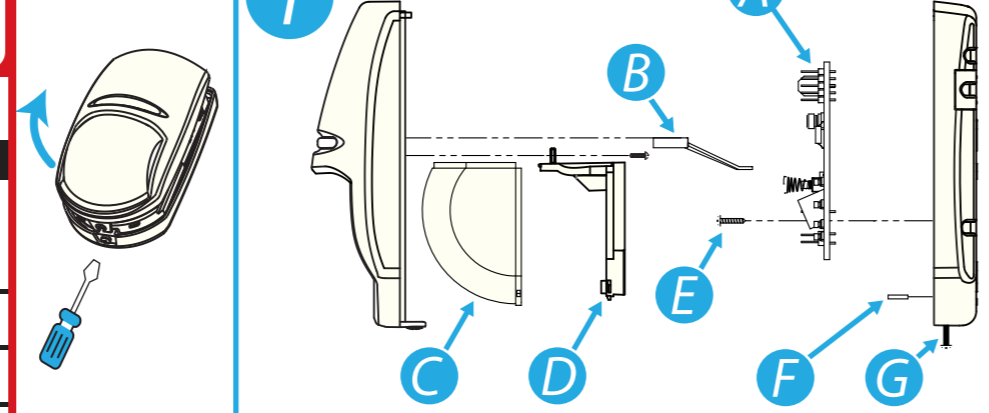
### Product Warning Information

For electrical products sold within the European Community. At the end of the electrical products life, it should not be disposed of with household waste. Please recycle where facilities exist. Check with your Local Authority or retailer for recycling advice in your country. The declaration of conformity may be consulted at [www.pyronix.com/product-compliance.php](http://www.pyronix.com/product-compliance.php)

This product is approved for use in the Residential, Commercial and Light Industrial Environments.



### START



### 2 PCB

