

Premier Elite LCDLP- W

INS761-2

Content

- 1.0 Introduction** 3
- 2.0 Connecting/Learning onto the system** 3
 - 2.1 First keypad on a new system 4
 - 2.2 Adding to an existing system 5
 - 2.3 Keypad & Zone Area 5
- 3.0 Recommendations** 5
- 4.0 Batteries** 6
- 5.0 Mounting** 7
- 6.0 Cable connection for Engineers keypad function** 8
- 7.0 User Features** 9
- 8.0 Keypad Menu** 11

1.0 Introduction

This is a fully functional wireless keypad that has the same footprint and style as the well known **Premier Elite LCDLP** wired keypad. The wireless keypad is functionally equivalent to the wired keypad, both for engineer/installer operations and for the end user. The product can also be used as a "mobile" Engineers keypad, to complete walk tests and signal strength measurements around a site. The product is wireless and therefore can be installed where it is convenient for the end user, and is therefore not constrained by a cable run location.

Compatibility

The LCDLP-W requires the expander firmware version 3.1.x but will work with panel version 2.11 and above.

Premier Elite intruder panels and wireless panels

- Panel version 2.11.x and above
- Expander version 3.1.x and above

Premier Elite Expanders

- 32XP-W and 8XP-W version 3.1.x and above

The product is not compatible with the Premier 412, 816, 832

2.0 Connecting/Learning onto the system

The LCDLP-W uses a wireless zone to connect to the **Ricochet**® mesh network just like any other Ricochet enabled device. The LCDLP-W is addressed to the system in the same way as any other Premier or Premier Elite keypad, using DIL switches on the rear of the keypad. Never set two keypads on the same network as the same address.

The wireless keypad is defaulted to address 1. If you are connecting to a

system which already has other keypads (wired or wireless), then you

will need to assign a unique address to each one. If you are connecting to a Live front panel, then the keypad on the panel is set to address 1. The address dill switch can be found on the rear of the keypad next to the battery compartment.









Address	DIL 1	DIL 2	DIL 3	DIL 4
1	On or Off	Off	Off	Off
2	Off	On	Off	Off
3	Off	Off	On	Off
4	Off	Off	Off	On
5	On	Off	Off	On
6	Off	On	Off	On
7	Off	Off	On	On
8	On	Off	On	On

2.1 First keypad on a new system

1. Use the supplied cable to connect to the engineers keypad port on the panel
2. Insert the batteries.
3. On the keypad Enter the engineers code (?) (?) (?) (?)
4. Select Language
5. Do you want to default **Ricochet***
6. Confirm devices
7. "Learn Ricochet" will appear on the screen
8. Press (✓)
9. Press (✓) again to learn to the displayed zone
10. Disconnect the cable from the keypad
11. Press (✓) on the LCDLP-W when prompted to Learn the keypad
12. An acknowledgement tone will be generated to confirm a successful learn

Note: If yes is selected any devices currently learned to the system will be removed. During the default procedure no **Ricochet devices can be learned to the receiver.*

2.2 Adding to an existing system

1. On an existing keypad Enter the engineers code    
2. Press 
3. Press  then 
4. Insert batteries into LCDLP-W
5. Press  on the LCDLP-W when prompted to Learn the keypad
6. An acknowledgement tone will be generated to confirm a successful learn

2.3 Keypad & Zone Area

- By default the Keypad will be assigned to Area A for the zone it is learned too, and the Keypad area.
- If these are changed please ensure they are both the same
- The Panel installation manual details how to alter these values

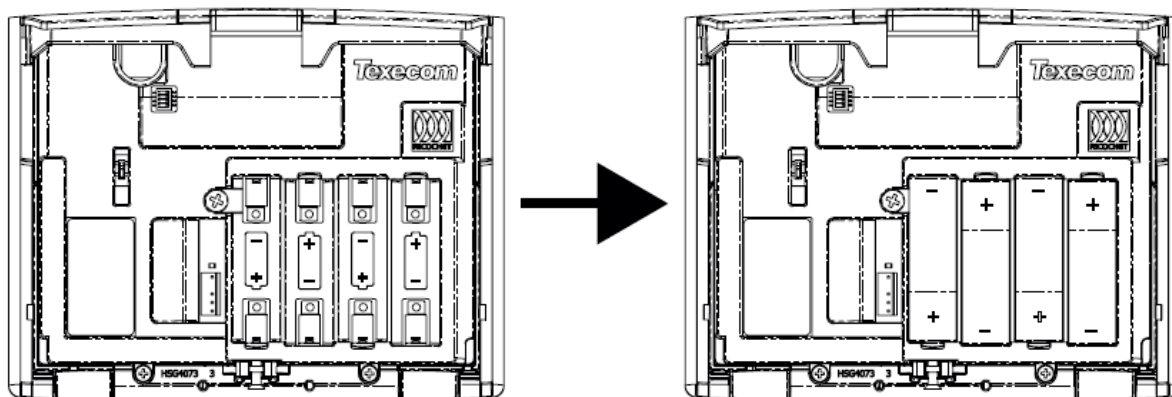
3.0 Recommendations

The product works best when connected as a direct **Ricochet** connection to the receiver or panel. When used on **Ricochet** 2nd or 3rd hop it will be less responsive, this is normal, but the product can be used as an arming station in this mode.

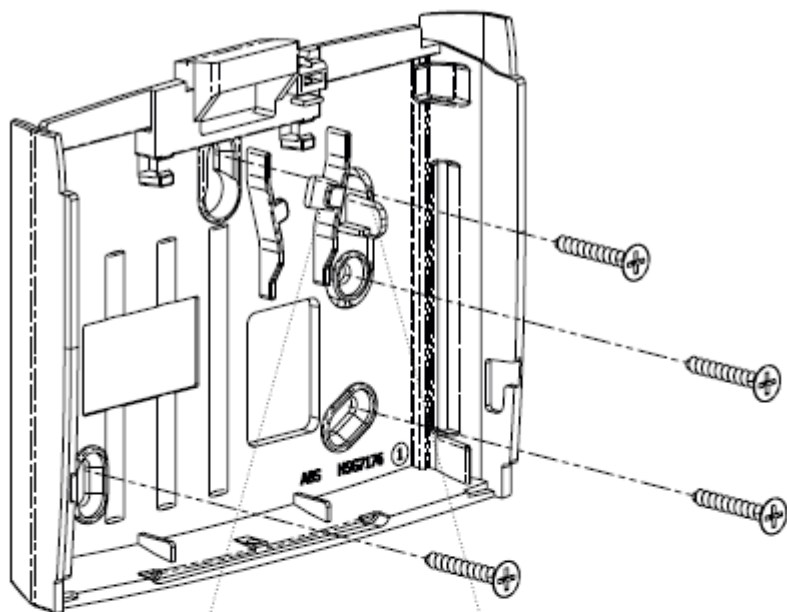
- Up to 4 wireless keypads can be used on any wireless expander.
- The number of keypads on a system is defined by the panels specification and capability.

4.0 Batteries

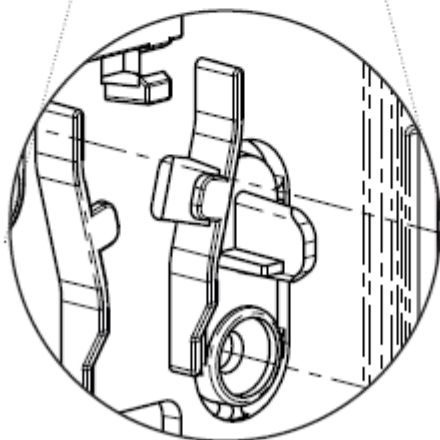
Battery polarity is clearly marked on the PCB, please ensure ALL batteries are installed correctly. The keypad will still function with one or two batteries installed incorrectly.

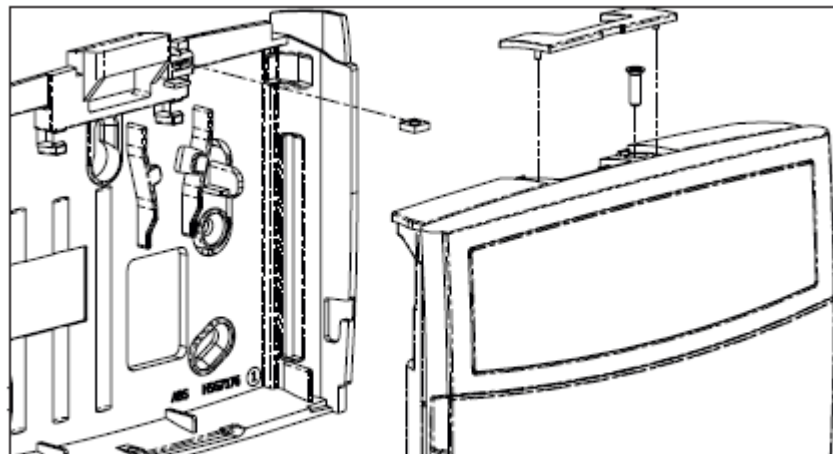
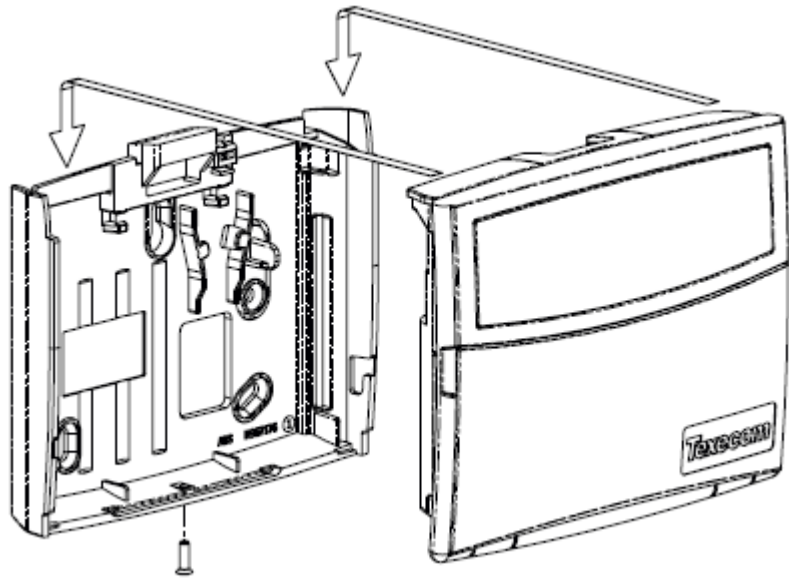


5.0 Mounting



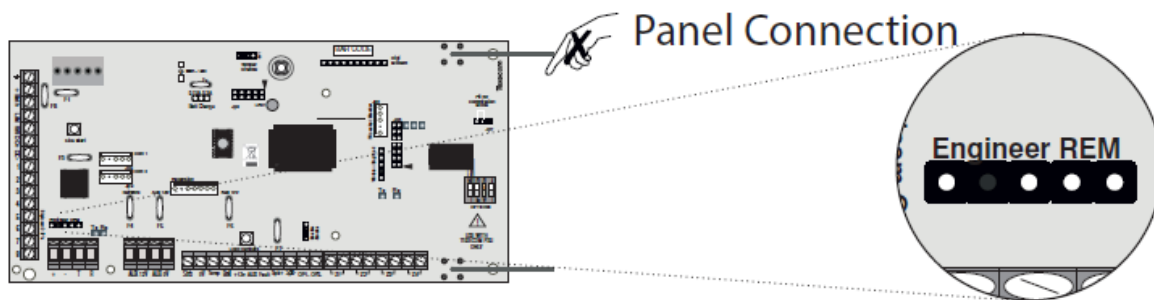
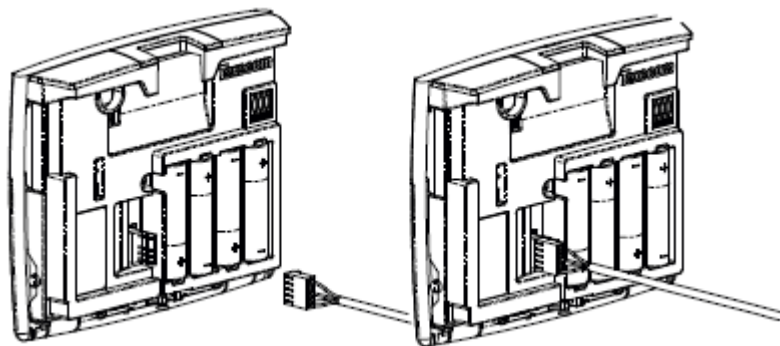
Rear Tamper





Optional high security screw fixing


6.0 Cable connection for Engineers keypad function



Panel Connection

7.0 User Features

All features for the User are identical to the wired keypad with the exception of the Prox operation:

1. Press  to activate the keypad
2. The Prox is active for 1-2 seconds

Specifications










Alarm System	EN50131-5-3, EN50131-1, PD6662, Grade 2 Class II
Product Type & Frequency Band	GCEA1000 : 868.2 – 868.6MHz GCEA3000 : 866.2 – 866.6MHz (Not CE approved)
Receiver	Category 1, Class 2
Receiver LBT	Listen Before Talk
Transmitter Duty Cycle	868MHz < 1%
Max RF power	10mW
Low Voltage Signal	2.4V
Operating Voltage	3V
Maximum Current	150mA
Quiescent Current	40uA
Relative Humidity	0 – 95% non-condensing
Proximity Reader	125kHz proximity tag

Battery Safety

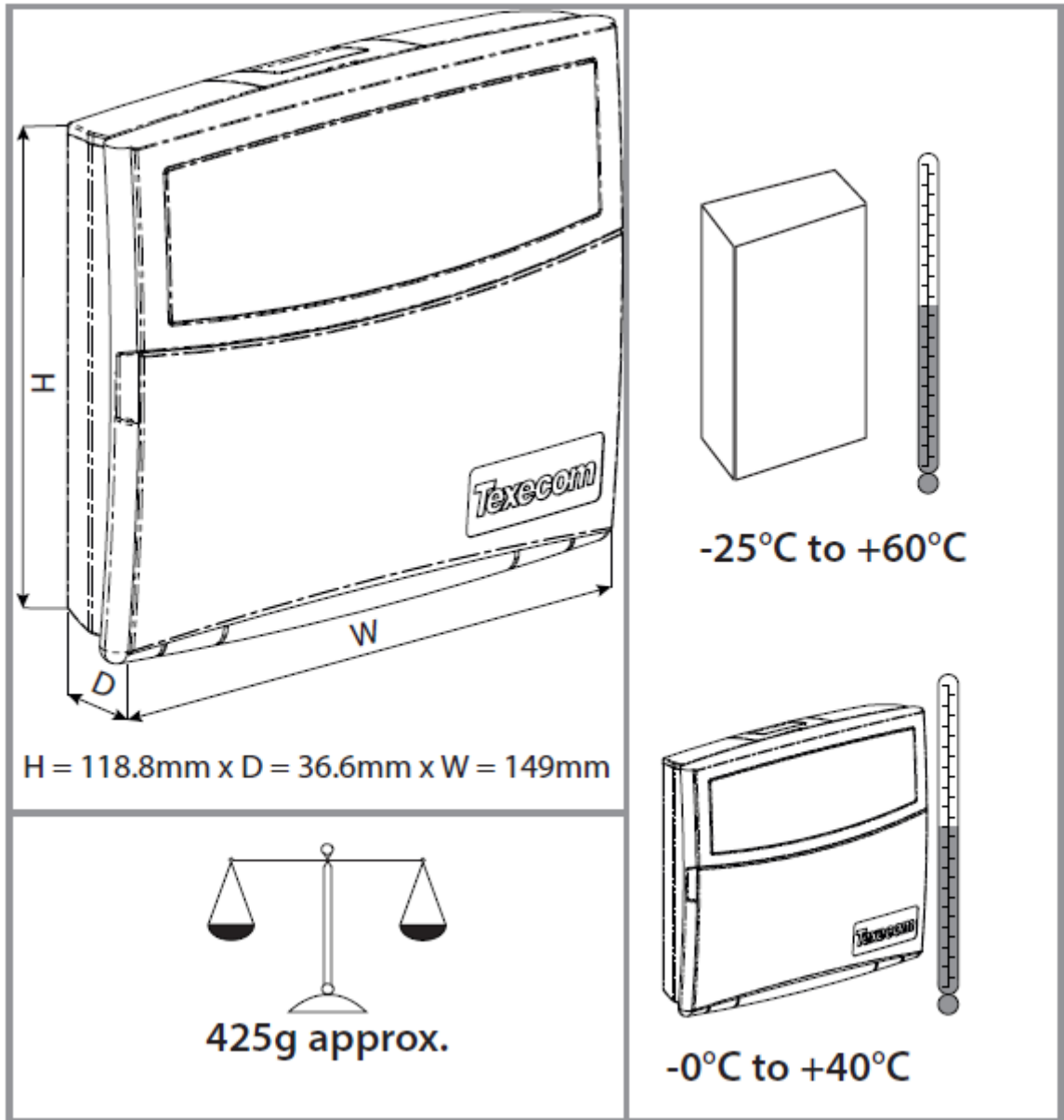
- Do not throw into a fire
- Do not heat
- Do not disassemble
- Do not charge
- Do not short circuit
- Replace with battery type Lithium AA 1.5V 2900mAh
- Always observe local regulations when disposing of a battery
- Keypad will transmit low battery warning when battery needs replacing

8.0 Keypad Menu

Using the Keypad menu you can change the following

- Pressing  &  together will show the onboard keypad menu
- Press  to cycle through the options
- Press  to change an option
- Pressing  &  together will lock/unlock the keypad if enabled
 - **Key press beep** Select Beep, Click or none
 - **Locking Allowed** Yes or No - disables keypad locking using  

 - **Power save mode** Yes or No - disables power save mode

Power save mode enables Tones that reduce the power requirement and reduces the LCD backlight time



Supplier: Texecom Ltd, Haslingden, Lancashire, BB4 4PW, UK.

WEEE Directive: 2012/19/EC (WEEE directive): Products marked with this symbol cannot be disposed of as unsorted municipal waste in the European Union. For proper recycling, return this product to your local supplier upon the purchase of equivalent new equipment, or dispose of it at designated collection points. For

more information see: www.recyclethis.info.

Maintenance: Test yearly by the installer

Warranty

2 year replacement warranty (excludes batteries).

As the Premier Elite LCDLP-W is not a complete alarm system, but only a part thereof, Texecom cannot accept responsibility or liability for any damages whatsoever based on a claim that the Premier Elite LCDLP-W failed to function correctly. Due to our policy of continuous improvement Texecom reserves the right to change specification without prior notice.

This product is suitable for use in systems designed to comply with EN 50131-1, EN50131-3, EN50131-5-3, EN50131-6 (Type C) and PD6662 at Grade 2 Environmental Class II. Product certified by Telefication BV

Hereby, Texecom declares that the radio equipment type : GCEA1000(Premier Elite LCDLP-W), is in compliance with Directive 2014/53/EU. The full EU declaration of conformity is available here: <http://www.texecom.com/cert/doc/DEC-T00281.pdf>