


1] PRODUCT PRESENTATION

The stainless steel engraved heavy duty green dome exit button range is available in both flush mounting to fit the UK's single gang back box (RTE-SFD) and surface mount configurations (RTE-SSD). The button itself is a heavy duty metallised button finished in green RAL 6005 and has passed over a million operation cycles with a contact rating of 2A @ 24Vdc.

The faceplates are constructed of 304 grade stainless steel and are laser engraved and paint filled to match the button colour with "PRESS TO EXIT" for durability. Surface units are provided with an aluminium shroud finished in brushed stainless steel and supplied with 2 x stainless steel screws.

Feature	Description
Material	Stainless steel
Contact Rating	2A @ 24Vdc
Mechanical Life	1,000,000 cycles
Operating Humidity	0-95% relative humidity
Output Contact	SPDT NC/COM/NO
Dimensions	Flush: 85.5 x 85.5 x 9 mm Surface: 85.5 x 85.5 x 29 mm (UK back-box format)
Operating Temperature	-20°C to 55°C

 CE Certification

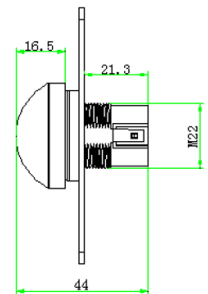
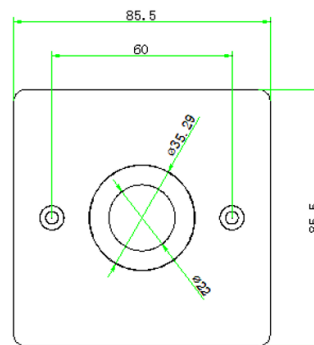
 WEEE & RoHS

 IP65

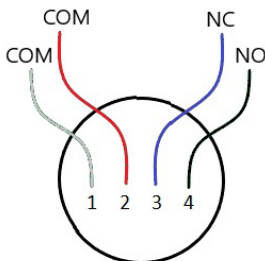

RTE-SSD



RTE-SFD



2] WIRING



COM/NC connections are suitable for a push to break circuit.
 Max load: 2A @ 24Vdc.

COM/NO connections suitable for a push to make circuit.
 Max load: 2A @ 24Vdc.

- (1) White & (4) Black = COM/NO
- (2) Red & (3) Blue = COM/NC



For queries visit our website www.cdvi.co.uk or contact us at:
sales@cdvi.co.uk
+44 1628 531300