

Premier Elite ComPort + INSTALLATION INSTRUCTIONS

INS664

Texecom

Introduction

The **Premier Elite ComPort +** plugs into the onboard digi connector on **Premier Elite 12/24/48/88 & 168** control panels allowing use of Com Port 3.

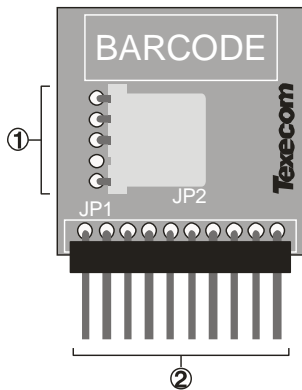


NOTE Premier Elite 640 already has Com port 3.

V3 firmware is required to enable the device, which when used allows connection of any device listed in the Com 3 dropdown menu, or connection to a local PC via a **USBCom** for upload/download capability.

PCB Layout and Connections

The figure below shows the PCB layout of the **Premier Elite ComPort +**



- ① ComPort 3 Device or USBCom
- ② Digi Pins Connection (SELV)

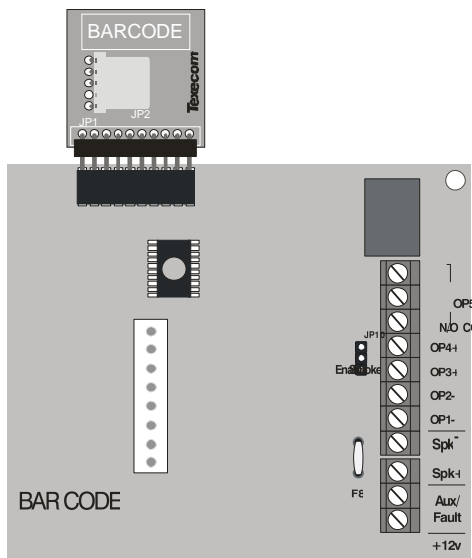
Premier Elite ComPort + Installation

To install the **Premier Elite ComPort +** proceed as follows:

Ensure that all power is removed from the control panel before connecting the **Premier Elite ComPort +**.

Plug the **Premier Elite ComPort +** onto the 10 way onboard digi pins on the control panel.

Re-apply power to the system and proceed to the next section.



NOTE Premier Elite 168 shown

Programming the Control Panel

The control panel will then need to be programmed correctly in order for the **Premier Elite ComPort +** to function as expected:

Programme Premier Elite ComPort +

- Enter the engineer code (? ? ? ?)
- Press (7) then (Yes / ✓) (UDL/Digi Options).
- Press (8) then (Yes / ✓) for (Com Port Setup/Onboard DigiCom).
- Press (No / X) then (0) to select Nothing Fitted
- Press (Yes / ✓)

USBCom

If the **Premier Elite ComPort +** is being used simply for local connection of a laptop no further programming is required. The device will allow connection to the control panel from a local PC.

ComPort 3

If the **Premier Elite ComPort +** is being used to enable Com 3 for one of the optional devices listed on Com 3 it should be programmed in the same manner as Com 1 or 2. Please see the **Premier Elite** Installation Manual INS176 for detailed instructions.

Supply Voltage:	9 – 16VDC
Current Consumption:	<1mA + the connected device
Dimensions:	40mm x 30mm x 10mm
Packed Weight:	25g

CE Texecom declares that this product complies with the requirements of the following directives:

- 2004/108/EC EMC Directive
- 2006/95/EC LVD Directive
- 2011/65/EU RoHS Directive

The product therefore meets all the requirements to enable it to be CE marked.

WEEE Directive: 2012/19/EU (WEEE directive): Products marked with this symbol cannot be disposed of as unsorted municipal waste in the European Union. For proper recycling, return this product to your local supplier upon the purchase of equivalent new equipment, or dispose of it at designated collection points. For more information see: www.recyclethis.info.

This product is suitable for use in systems designed to comply with EN 50131-1, at Grade 2 and Environmental Class II.

Warranty

All Texecom products are designed for reliable, trouble-free operation. Quality is carefully monitored by extensive computerised testing. As a result the **Premier Elite ComPort +** is covered by a two-year warranty against defects in material or workmanship.

Texecom

Texecom Limited, Bradwood Court, St. Crispin Way, Haslingden, Lancashire BB4 4PW, England.

Technical Support:

UK Customers Tel: 08456 300 600

(Calls charged at 3.36 pence per minute from a BT landline. Calls from other networks may vary.)

International Customers Tel: +44 1706 233875

Email: techsupport@texe.com

© Texecom Limited 2015

INS664

