

## Technical information

### About the unit:

- 50m Long Range Corridor PIR motion detector designed to provide security coverage for long and narrow spaces
- Operating temperature: -10°C to 55°C
- Relative humidity: 0% to 95% non-condensing

### Warranty:

- 10 years

### Mounting brackets:

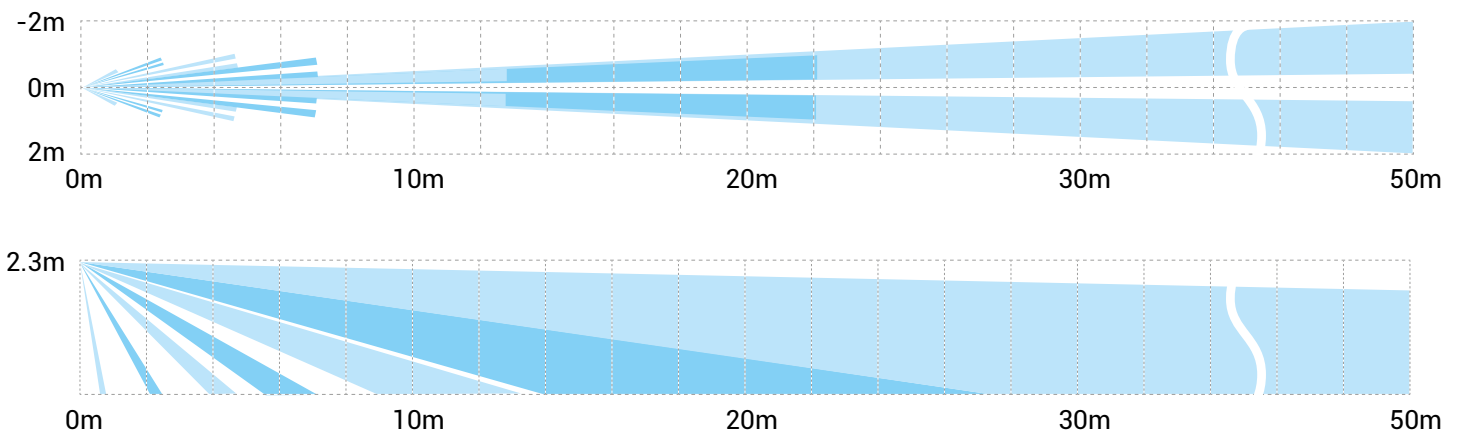
- Wall and ceiling
- Pack of 10 brackets (AFU-0004)



### Product range comparison:

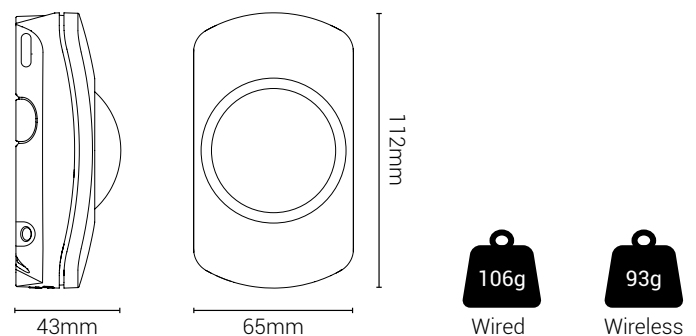
Model	Part Code	Description	Mounting	EN Grade	Compliance	Options	Pyro	Detection Range	Mounting Height	LED
LR50	AKW-0001	50m Long Range PIR	Wall	G2	EN50131-2-2*	Adjustable Range	Quad	50m x 2m	2.3m	Cyan
LR50-W 868MHz	GDF-0001	Wireless 50m Long Range PIR	Wall	G2	EN50131-2-2*	Adjustable Range	Quad	50m x 2m	2.3m	Tri-Colour
LR50-W 866MHz	GDF-0002	Wireless 50m Long Range PIR	Wall	G2	EN50131-2-2*	Adjustable Range	Quad	50m x 2m	2.3m	Tri-Colour

### Detection coverage:



Power specifications	LR50	LR50-W
Operating Voltage	9 - 15Vdc	3Vdc
Maximum Current	12mA	18mA
Quiescent Current	9.3mA	21uA
Receiver	N/A	Category 1, Class 2
Receiver LBT	N/A	Listen Before Talk
Transmitter Duty Cycle	N/A	<1%
Max RF Power	N/A	10mW
Low Voltage Signal	N/A	2.85V

### Dimensions & Weight:



\*Self declared

