

## COMMZBOX weatherproof communications enclosure



The COMMZBOX is a highly durable weatherproof housing designed to allow data and/or voice cabling to be used in industrial or damp, internal or external locations. Whether installed in dusty factories, camping sites, trade fair grounds or caravan parks the COMMZBOX provides an excellent solution to keeping connections clean and dry.

### **Features**

- WJNTE1A – supplied with UK PSTN voice socket as standard. This enclosure is suitable for most installations described as requiring BT's NTE1A
- WJ6 – supplied with high performance Category 6 component level tool-less socket. Supplied with angled shuttered adaptor to allow adequate bend radius as required by the standard.
- WJ6NTE – supplied with *both* high performance Cat 6 socket and UK voice socket to allow both voice and data communications over the same cable (subject to wiring).
- IP65 Rating (i.e. protected from total dust ingress and protected from low pressure water jets from any direction)
- Supplied with IP65 gland suitable for cable 4-8mm diameter
- 20mm knock-outs located top, bottom, side and back
- Corrosion Resistant
- Snap Shut Action Lid
- Padlock facility
- Includes two earthing points
- CE approved

### **Specifications**

- Dimensions: approx. 152x83x101mm
- Total Weight: approx. 370-430g
- Colour: Housing and faceplate: RAL7032 grey
- Materials: Fire retardant ABS
- Supplied with two 12.5x50mm white ABS spacers for fitting the module (WJNTE1A and WJ6)
- Various styles available:

**WJNTE1A** – see housing specification attached and item code KJ1 (further information at <https://tuk.co.uk/product/uk-voice-module-white/>) – see **Special Note below**

**WJ6** – see housing specification attached and item code SKFwh (further information at <https://tuk.co.uk/product/keystone-socket-tool-less-category-6/>)

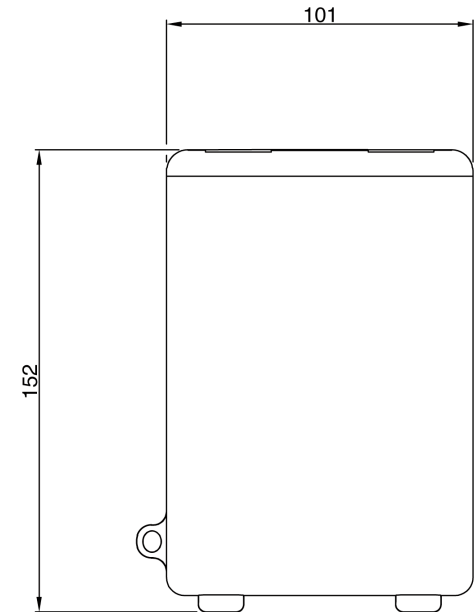
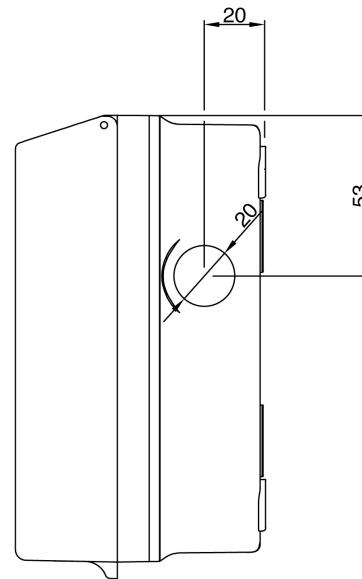
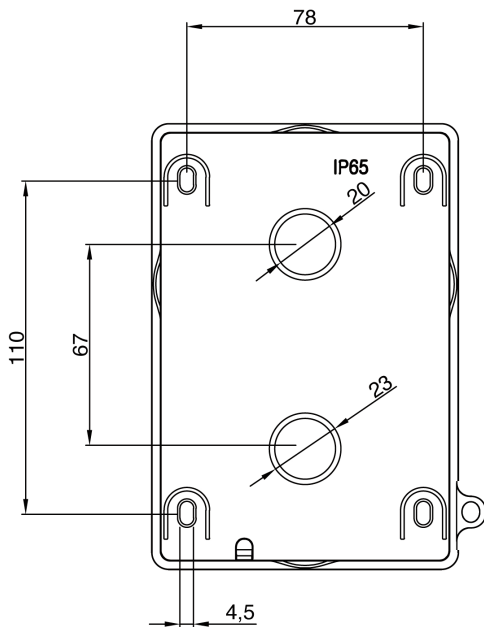
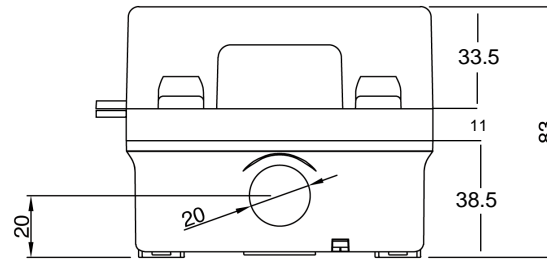
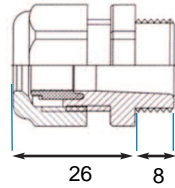
**WJ6NTE** – see housing specification attached and item code KJ1 and SKFwh (further information at <https://tuk.co.uk/product/uk-voice-module-white/> – see **Special Note below**  
<https://tuk.co.uk/product/keystone-socket-tool-less-category-6/>)  
(Note: combined assembly allows for termination of Cat 6 socket at pins 1,2,3,6)

**WJEXT** – see housing specification attached

#### **Special Note:**

PBX Master: British Telecommunications have reported that the presence of a surge arrester in the network termination can interfere with broadband signals in the UK. For this reason we are now supplying our PBX UK Voice Modules with both a ring capacitor and an out of service resistor so that we recommend our item KJ2 for both PBX and PSTN connections instead of item KJ1. Please confirm your preference when ordering.

ROHS Compliant

**Code: WJEXT**

Tolerance +/- 0.5mm