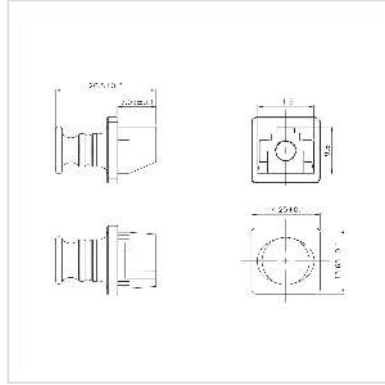


VALUE RJ45 Socket Dust Protector, black

Product No.	26.99.0322
Manufacturer	VALUE
Manufacturer No.	26.99.0322
EAN (single piece)	7630049621954



- To protect RJ45/network sockets and patch panels against dust when ports are not in use
- Material: PVC
- Color: Black
- Content: 10 pcs.

Technical specifications

Manufacturer	VALUE
Product group	Connection technology TP
Product type	Cover
Colour	black
Weight	17.3 g
Height of packaging (single piece)	30 mm
Width of packaging (single piece)	20 mm
Depth of packaging (single piece)	50 mm
Package weight (single piece)	0.01 kg