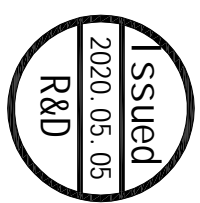
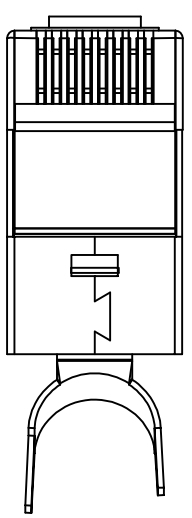
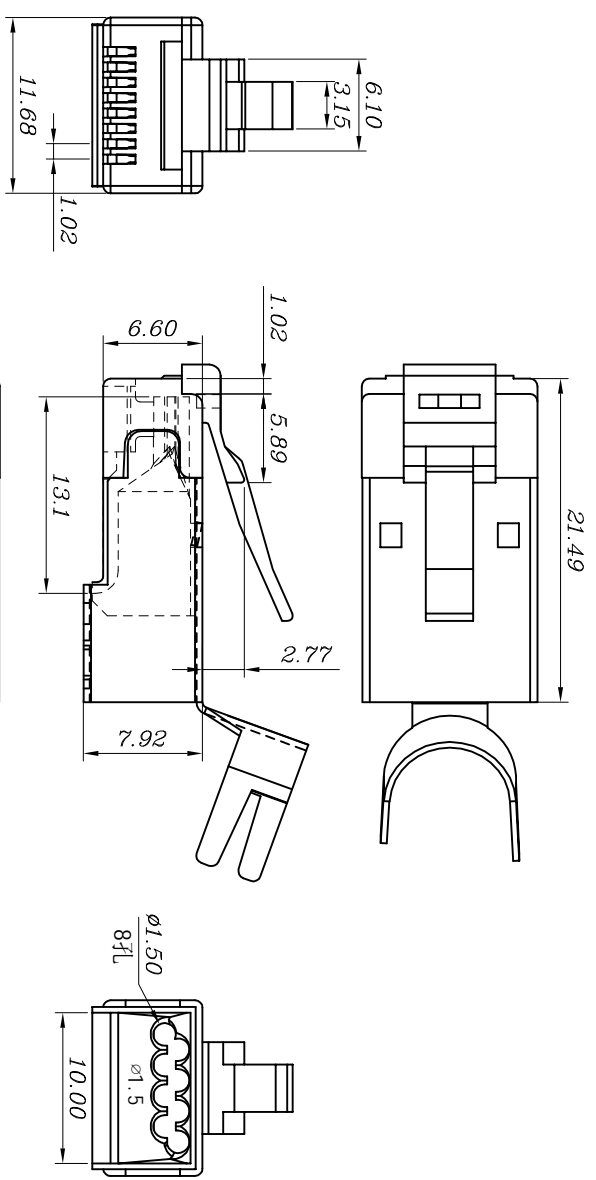


REV	DATE	MODIFICATION	DRAWN
1	2018/06/25		

SPECIFICATIONS

- ELECTRICAL:
 - UL APPLICATIONS: 250 VOLTS AC MAX. AT 2 AMPS.
 - DIELECTRIC WITHSTANDING VOLTAGE: 1000 VOLTS AC, 60 SEC.
 - INSULATION RESISTANCE: 500 MQ.
 - CONTACT RESISTANCE: 20mΩ MAX.
 - OPERATING AMBIENT TEMPERATURE: -20°C ~ 75°C.
- MECHANICAL:
 - STRAIN RELIEF: 20°POUND MIN.
 - DURABILITY: 1200 MATING CYCLES.
- MATERIAL:
 - HOUSING: POLYCARBONATE: UL94V-0 OR UL94V-2.
 - COLOR: TRANSPARENT OR OTHER COLOR ARE AVAILABLE.
 - CONTACT BLADE: COPPER ALLOY.
 - GOLD PLATING: 3μ"-50μ", ARE AVAILABLE.
 - SHIELDED SHELL: COPPER ALLOY.
- USAGE:
 - SUITABLE FOR STRANDED & SOLID WIRE 23AWG ~ 26 AWG.
 - (It can be used for the wire OD from Ø 1.35 ~ Ø1.45)



BLADE:	EB	YB	Z	AE	AB	EC
Drawing						
Mark				✓		

GOLD PLATING	3Mu"	3u"	6u"	15u"	30u"	50u"	CABLE TYPE	ROUND	FLAT
Mark					✓		Mark	✓	

DIMENSION IN mm (Inch)		TOLERANCE UNLESS OTHERWISE SPECIFIED		MATERIAL	DWG NO.	SCALE		SHEET	
.X±0.20		.XX±2°		PC	PLUG-154E-0002	2/1		1/1	
.XX±0.10				TITLE	21.17.3063	PROJ.		REV	
APPROVAL		CHECKED		DRAWN		PROJ.		REV	
				Cathyli				A	

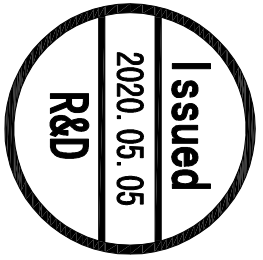
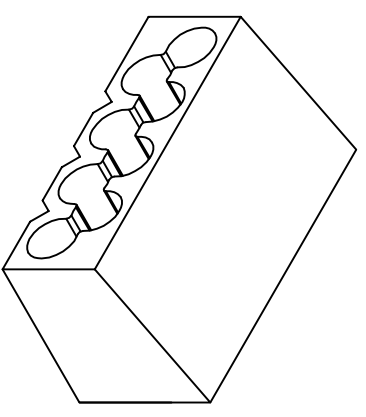
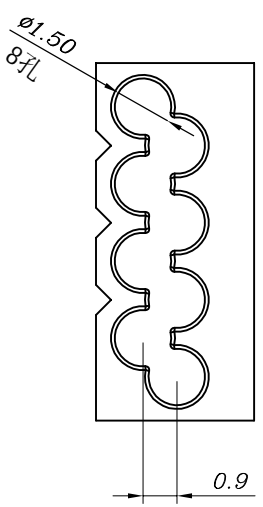
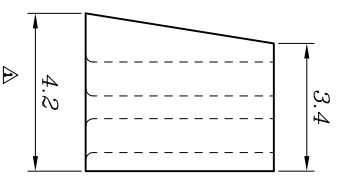
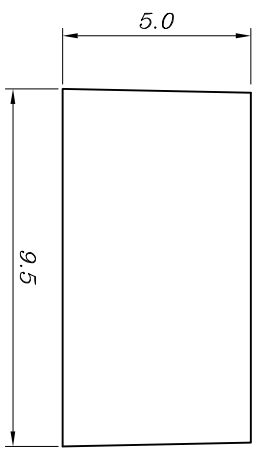
1 2 3 4 5 6 7

A B C D

1 2 3 4 5 6 7

ST-DR-009A

REV	DATE	MODIFICATION	DRAWN
D	2017/06/15		Zach



DIMENSION IN mm (Inch) TOLERANCE UNLESS OTHERWISE SPECIFIED		MATERIAL	DWG NO
X ± 0.20	.X $\pm 5^\circ$	PC	PLUG INSERT-040A
.XX ± 0.10	.XX $\pm 2^\circ$	TITLE	21.17.3063
审核 APPROVAL	核对 CHECKED	DRAWN	SCALE
Carine	Zach	Gathlyli	5/1
		PRCL	SHEET
			1/1
		REV	D

1 2 3 4 5 6 7

A B C D

1 2 3 4 5 6 7

ST-DR-009A