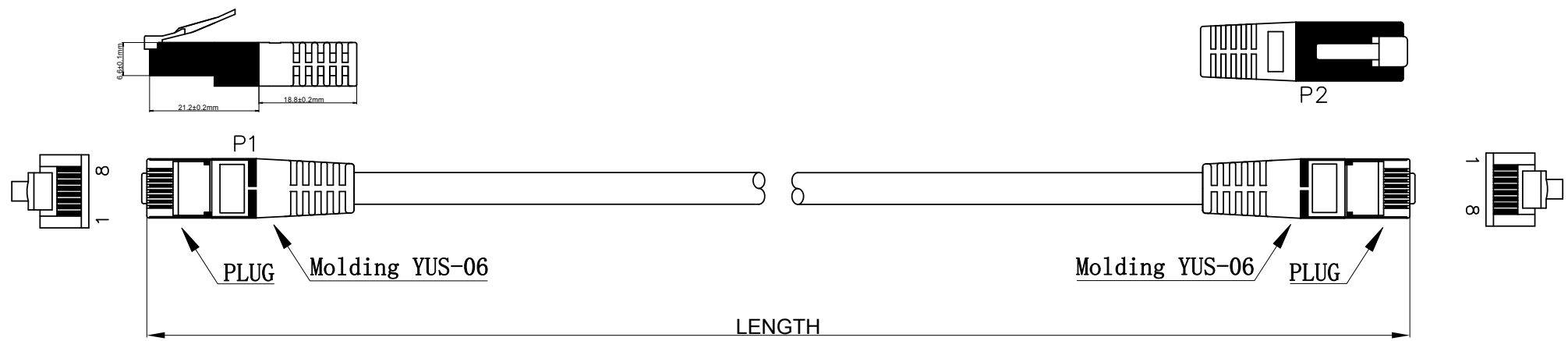
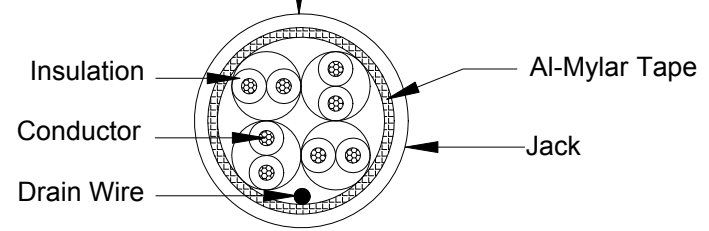


1	2	3	4	5	6	7	8	9	10	
CUSTOMER NAME						DATE	REV	DESCRIPTION		BY
CUSTOMER Part No.						2019.08.08	A/0	NEW		LJW



Marking: roline FTP CAT.5E PATCH ISO/IEC 11801 & EN 50288 ▲ 26AWGX4P TYPE CMX(UL) c(UL) CMH E164469-XX
 <FP0570>



Minimum Bending Radius: ≥47mm

Conductor		Bare Copper 26AWG
Insulation		Thickness: MIN at any point: 0.15mm MAX AVG: 0.25mm Diameter: 0.90±0.06mm
Jacket	PVC	Thickness: MIN at any point: 0.46mm MAX AVG: 0.55mm Diameter: 5.6±0.2mm
Wire		CAT.5E FTP 26AWGX4P
Plug		YUS-06 8P8C 50U"
Color		YY
Length		XX

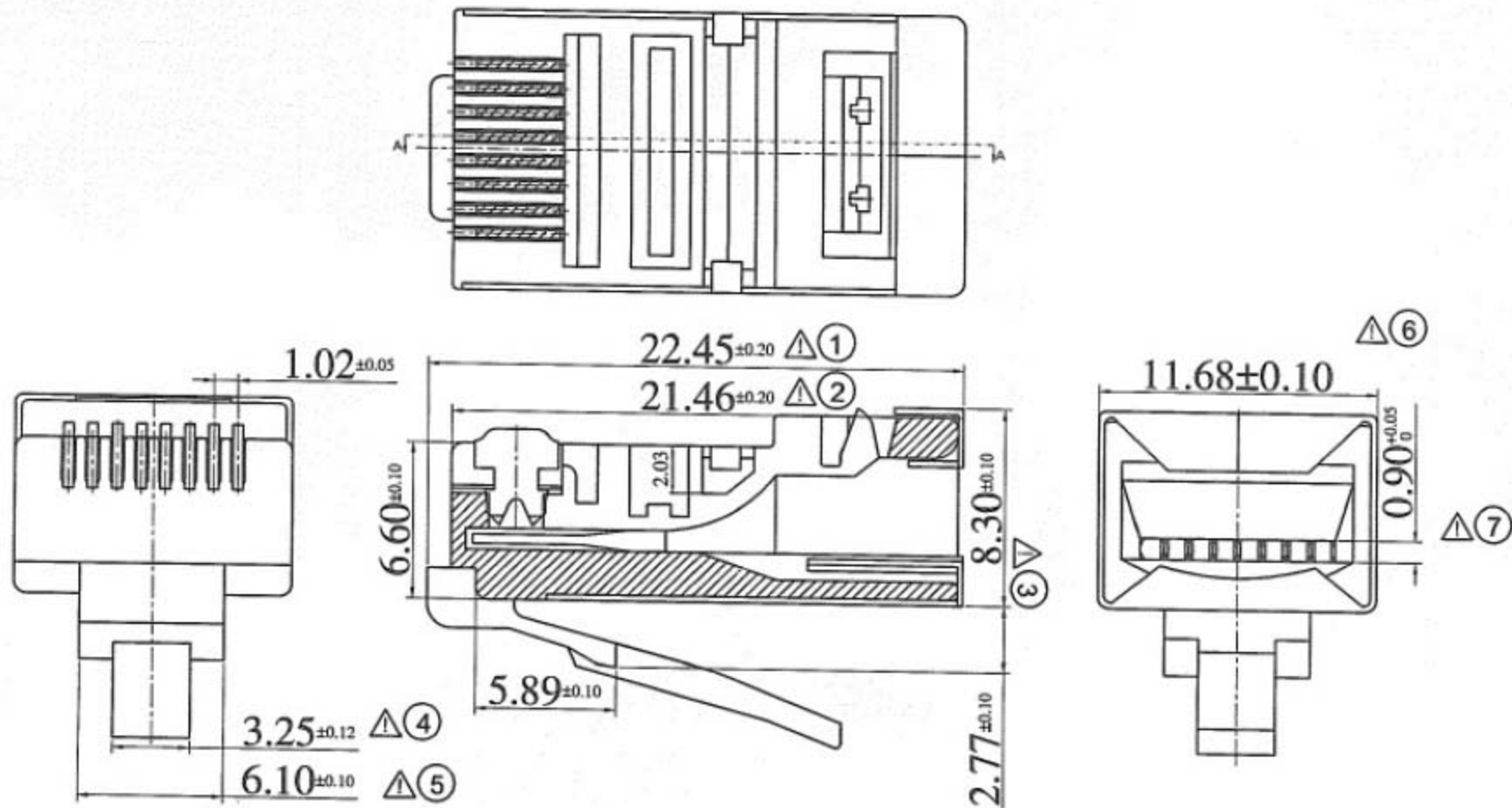
NOTE:
 1.ELECTRICAL TEST:
 <1> 100% OPEN SHORT & MISS WIRE TEST.

PINOUT			
P1(T568B)		P2(T568B)	WIRE
1	↔	1	WHT/ORG
2	↔	2	ORG
3	↔	3	WHT/GRN
6	↔	6	GRN
4	↔	4	BLU
5	↔	5	WHT/BLU
7	↔	7	WHT/BRN
8	↔	8	BRN
S	---	S	---

Part No.				
Description	CAT.5E FTP 26AWG 4P PVC YUS-06			
UNIT	mm	副厂长	CHECKER	DRAWER
PAGE	1/1	2019.08.16		LJW
		曹饒		

CUSTOMER NAME
CUSTOMER Part No.

7	8	9	10
DATE	REV	DESCRIPTION	BY
2016.06.16	B/1	NEW	DMW



NOTE TOL:±0.1

Key Size	Tolerance			Part No.	Description	UNIT	APPROVAL	CHECKER	DRAWER
	Critical	Normal	General						
0-15	±0.05	±0.10	±1.0		8P8C 50u" 五類彈片屏蔽端 (孔徑:0.9mm) (保稅料)	mm			
15-60	±0.10	±0.20				mm			
60-150	±0.15	±0.35	±1.5			mm			
150-350	±0.20	±0.50				mm			
350-1000	±0.40	±0.65	±2.0			mm			

Part No.
Description
UNIT mm APPROVAL CHECKER DRAWER
PAGE 1/1
Draw.No. DMW