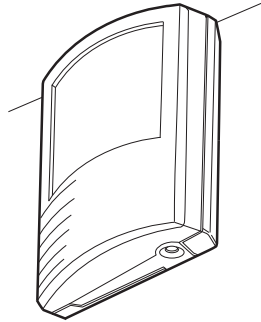


# Instruction Manual

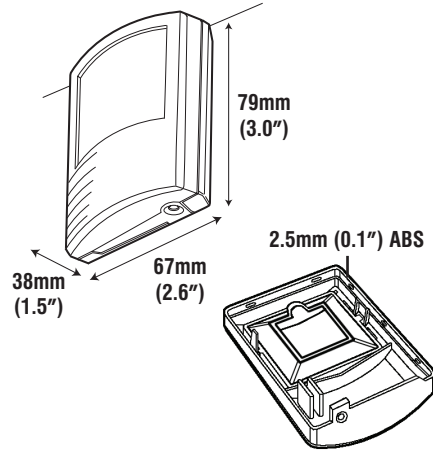
Veritas Medusa



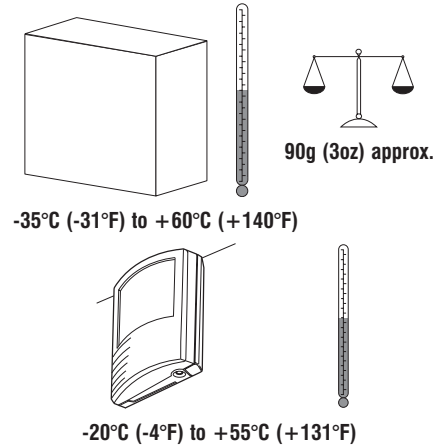
**Texecom**  
Designed to Perform

INS 001-7

## 1. PHYSICAL



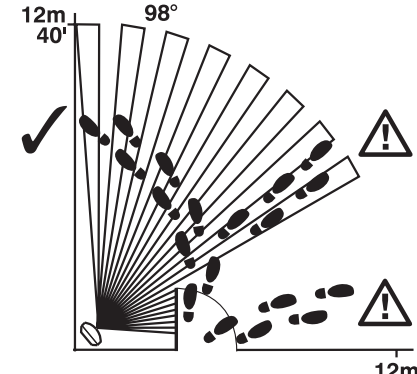
## 2. ENVIRONMENTAL



## 3. FALSE ALARM PROTECTION

- Design:** Noise reduction circuits with maximum ground plane.
- RF Immunity:** No false alarms from 80MHz to 1GHz at 50V/m, equivalent to a 700W uniform transmitter at 3m (10ft). Complies with BS EN 61000-4-3 : 1997.
- Electrostatic Discharge:** No false alarm up to 8kV. Complies with BS EN 61000-4-2 : 1995.
- Fast Transient Immunity:** No false alarms up to ±1kV. Complies with BS EN 61000-4-4 : 1995.
- High Energy Transient Immunity:** No false alarm up to ±1kV. Complies with BS EN 61000-4-5 : 1995.
- Conducted RF Susceptibility:** No false alarms at 10Vrms. Complies with BS EN 61000-4-6 : 1996.
- EMC:** Independently certified to EN 50130-4 : 1996.
- Pulse Count:** Adjustable Pulse Count. Internal link to select.

## 4. COVERAGE & PICK-UP



### Regulatory information

**Supplier:** Texecom Ltd, St. Crispin Way, Haslingden, Lancashire, BB4 4PW, UK.

**Weee Directive:** 2002/96/EC (WEEE directive): Products marked with this symbol cannot be disposed of as unsorted municipal waste in the European Union. For proper recycling, return this product to your local supplier upon the purchase of equivalent new equipment, or dispose of it at designated collection points. For more information see: [www.recyclethis.info](http://www.recyclethis.info).

**RoHs Directive:** 2002/95/EC RoHs Compliant. Hereby, Texecom declares that this device does not contain lead, mercury, cadmium, hexavalent chromium, polybrominated biphenyls (PBB) or polybrominated diphenyl ethers (PBDE) in more than the percentage specified by EU directive 2002/95/EC, except exemptions stated in EU directive 2002/95/EC annex.

**CE Directive:** 2004/108/EC (CE directive): Hereby, Texecom declares that this device is in compliance with the essential requirements and other relevant provisions of Directive 2004/108/EC.

**Maintenance:** Test yearly by the installer

**Warranty:** 5 year replacement warranty

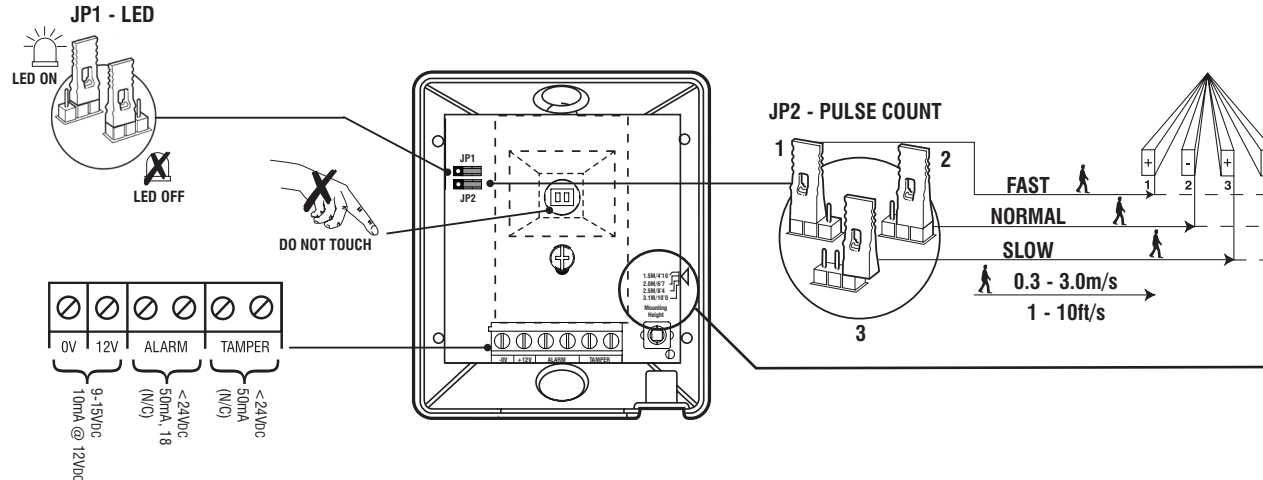
**Security grade:** EN Grade 2 **Environmental class:** Class II

**Standards:** EN50131-2-2, PD6662:2010

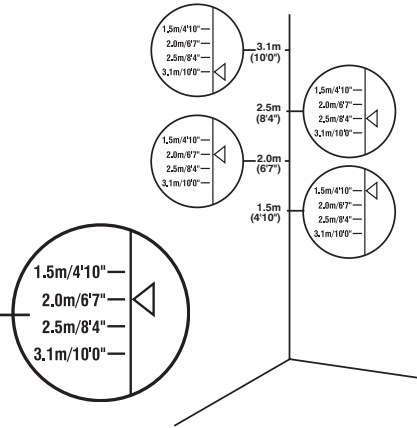
**Disclaimer:** The Veritas Medusa is not a complete alarm system, but only its part. Therefore Texecom does not accept any responsibility or liability for any damage that is claimed to be a result of an incorrect functioning of the Veritas Medusa detector. Texecom reserves the right to change the specification without a prior notice.

© 1994 - 2012 Texecom Ltd

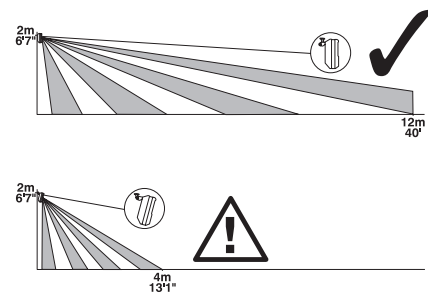
## 5. DETECTOR WIRING & SET UP



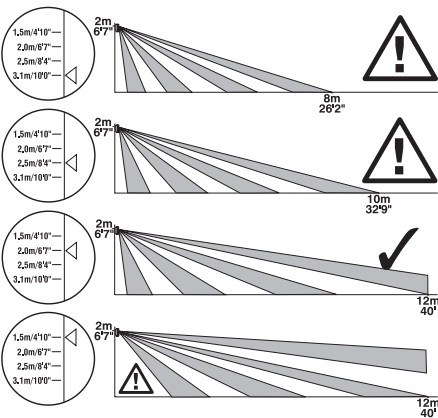
## 6. MOUNTING HEIGHT & SETTINGS



## 7. ANGLING THE DETECTOR

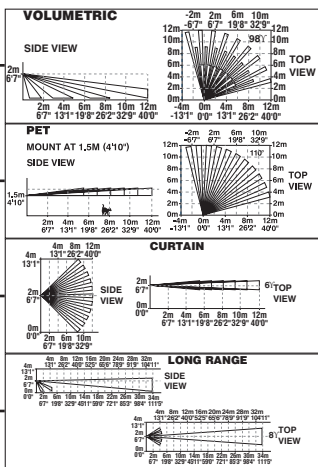
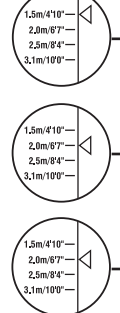


## 8. COVERAGE AT 2m

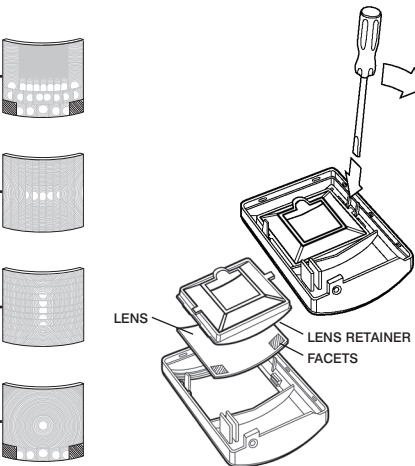


## 9. LENS SELECTION

See Mounting Height Diagram (Section 6)

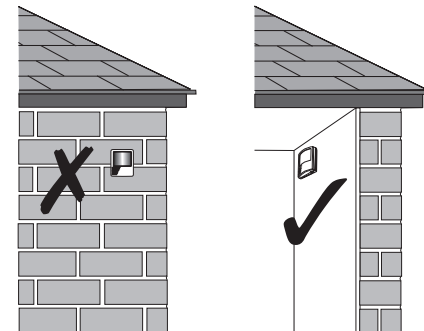


## 10. CHANGING LENSES



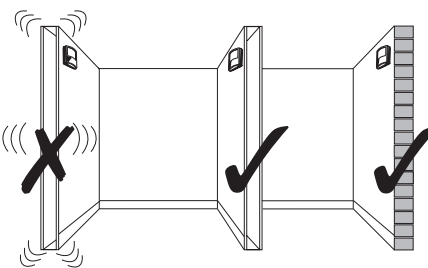
## 11. MOUNTING THE DETECTOR

For indoor use only



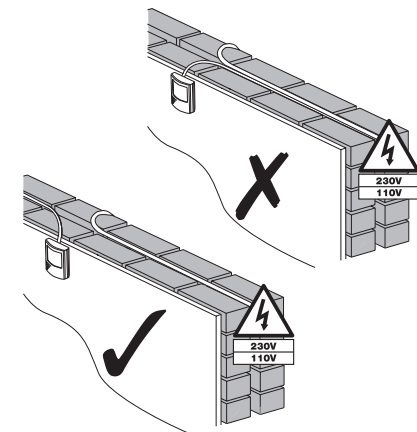
## 12. MOUNTING THE DETECTOR

Mount on a stable surface



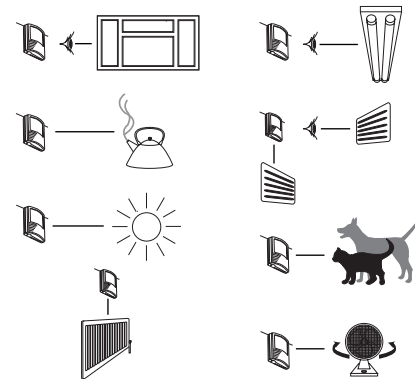
## 13. WIRING

Do not run cable parallel to mains wiring

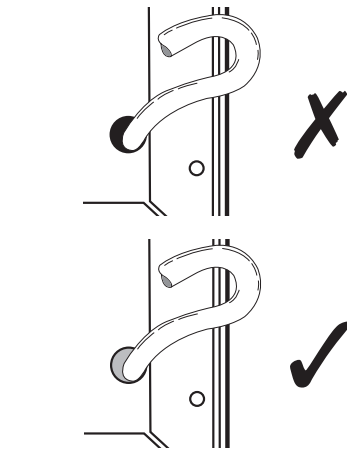


## 14. CHOOSING A LOCATION

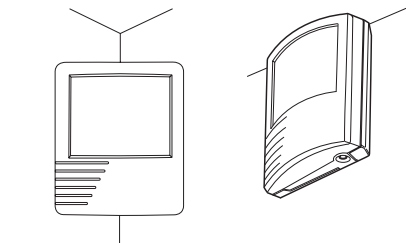
Avoid common false alarm sources



## 15. SEAL ALL HOLES



## 16. MOUNTING WITHOUT BRACKETS



Certificate Number: FM 35285

