

DS-K1T673DWX Face Recognition Terminal



Face recognition terminal is a kind of access control device. It can be widely applied in multiple scenarios, such as enterprises, stations, dwellings, factories, schools, campus and so on.

- 7-inch LCD touch screen, 2 Mega pixel wide-angle lens
- Recognition distance: 0.3 to 3 m
- Face recognition duration < 0.2 s/User
- Face recognition accuracy rate ≥ 99%
- Built-in M1 card, Felica card, and DESfire card reading module (Presents card on the screen to authenticate)
- Face mask detection
- 10,000 face capacity, 10,000 fingerprint capacity (With fingerprint module), 50,000 card capacity, and 150,000 event capacity
- Supports ISAPI, ISUP 5.0, TCP/IP (IPv4 and IPv6)
- Supports single person and multiple people (Up to 5 people) recognition

▪ Specification

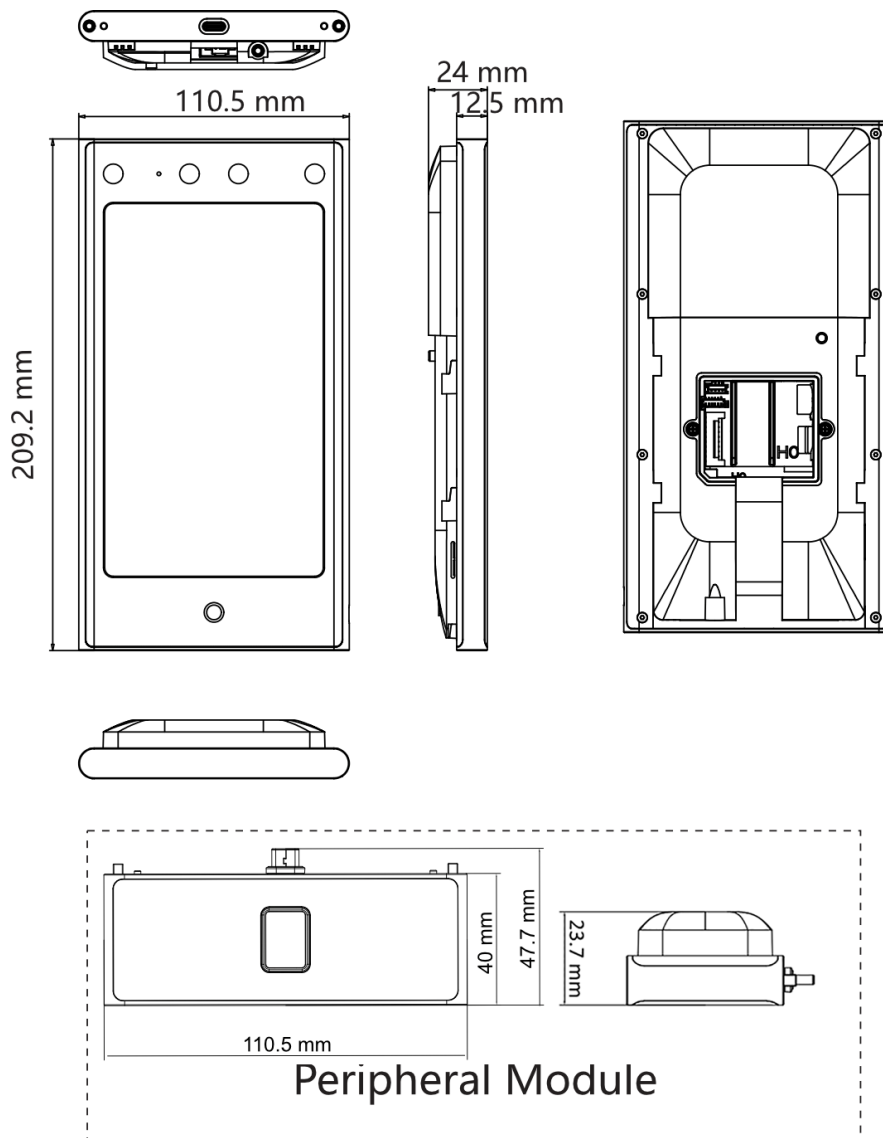
System	
Operating system	Linux
ROM	4 GB
RAM	1 GB
Display	
Screen size	7 inch
Operation method	Capacitive touch screen
Type	IPS
Resolution	600 × 1024
Video	
Lens	2
Resolution	2 MP
FOV	HFOV = 75.5°; VFOV = 41.5°; DFOV = 87°
Wide Dynamic Range (WDR)	Support
Video standard	PAL (Default)/NTSC
Focal length	4 mm
Aperture	F 1.1
Audio	
Audio compression standard	G.711U
Audio compression bitrate	64 Kbps
Audio quality	Built-in omnidirectional microphone
Volume adjustment	Support
Power output	1.5 W
Network	
Network protocol	IPV4: SADP, SIP, RTSP, ISAPI, ISUP 5.0 IPV6: RTSP, ISAPI
Wired network	Support
Wi-Fi	Support, 2.4 G, 802.11b/g/n
Interface	
Network interface	1 RJ-45, 10/100/1000 M self-adaptive
Lock control	1
Exit button	1
Door contact input	1
Alarm input	2
Alarm output	1
TAMPER	1
RS-485	1 RS-485 (Half duplex, HIKVISION)
Wiegand	1 Wiegand(Hik 26bit,Hik 34bit)
USB	1 (For Module)
Audio output interface	1 (3.5 mm)
Capacity	
Face capacity	10,000
Fingerprint capacity	10,000 (With fingerprint module)
Card capacity	50,000
Event capacity	150,000

Authentication	
Face recognition distance	0.3 to 3 m
Face recognition accuracy rate	≥ 99%
Face recognition duration	< 0.2 s per person
Card type	M1 card,DESfire card,Felica card
Card reading distance	0 to 3 cm
Card reading duration	< 1 s
General	
Power supply	12 VDC to 24 VDC, 2 A
Working temperature	-30 °C to 60 °C (-22 °F to 140 °F)
Working humidity	0 to 90% (no condensing)
Protective level	IP65
Dimensions	110.5 mm × 209.2 mm × 24 mm (4.35" × 8.24" × 0.94")
Weight	Gross Weight: 1.06 kg (2.34 lb) Net Weight: 0.57 kg (1.26 lb)
Language	English, Spanish (South America), Arabic, Thai, Indonesian, Russian, Vietnamese, Portuguese (Brazil), Japanese, Korean, Traditional Chinese, French and Turkish
Function	
Advertisement	Support
Live view	Support
Two-way audio	Support
Multi-factor authentication	Support
M1 card encryption	
Face anti-spoofing	Support
Anti-passback	Support
First person in	Support
Audio prompt	
Time synchronization	

▪ Available Model

DS-K1T673DWX

▪ Dimension



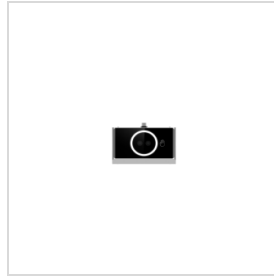
▪ Accessory

▪ Included

DS-KAB673-P

Peripheral

Module



▪ **Optional**

DS-KAB6-D1 Base Bracket	DS-KAB6-ZU1 Brackets for face terminals	DS-KAB673-FB Peripheral Module	DS-KAB673-FBQR Peripheral Module	DS-KAB673-BQR Peripheral Module
				
DS-KAB673-B Peripheral Module	DS-KAB6-W1 Bracket	DS-KAB673-EDB Peripheral Module		
				

See Far, Go Further



www.hikvision.com
support@hikvision.com

