

Category 6A Tool-less Shielded Keystone Socket with cable clamp



Category 6A Tool-less Shielded Keystone Socket with cable clamp (SGKScIje)

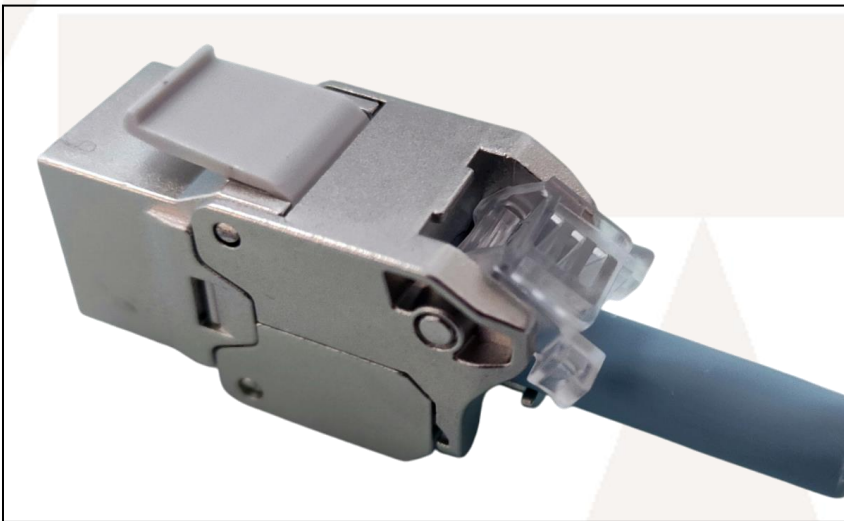
Our die-cast fully shielded Category 6A socket offers a toolless keystone solution for almost any Category 5e, Category 6 or Category 6A STP requirement. Cable retention is achieved effortlessly with the innovative cable clamp feature.

Features

- High performance compliant with ANSI/TIA 568 C.2 standard – comfortably achieves component link level
- Compliant with IEC60512-99-002 – suitable for use with 4PPoE (IEEE 802.3bt Type 4)
- 3rd Party (Delta) verified
- Ease of installation
 - Quick and easy tool-less lever “butterfly” style termination
 - Core carrier easily placed in the correct orientation and retained
 - Insulator design around the IDC contacts prevents potential shorting against the casing.
- Innovative cable clamp ensures cable retention with the minimum of time and fuss, without impacting performance
- Fully shielded die-cast body is robust as well as offering outstanding performance in eliminating alien cross-talk
- Compact housing suitable for use in high density installations e.g. 0.5U panels
- Standard format keystone fits a wide range of panels, adaptors and faceplates
- Suitable for 23-26 AWG stranded and solid wire. (0.40 – 0.57mm)
- Built-in dustcover
- Panel mount, D UNIVERSAL and DIN rail mountable versions also available

Specifications

- Weight: 26g approx. (including primary packaging)
- Dimensions: 100 x 60 x 25mm approx. (in primary packaging)
- Colour: Silver
- Materials: Zinc alloy housing; 50µ"/1.27µm gold plating over nickel over phosphor bronze on contacts
- Plug insertion life: > 750 insertions
- Operating temperature: -10°C to 60°C



Illustrative image of the new cable clamp cable retention

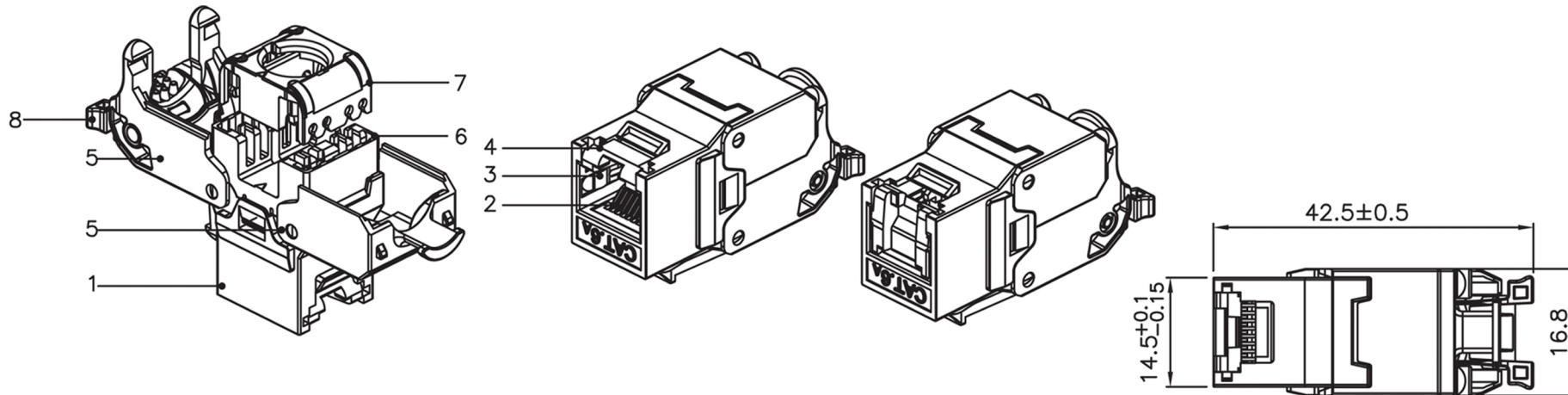
Packaging: Packed in individual polybags then in bags of 20

EAN: 5055386513045

Commodity Code: 85444920

Country of Origin: China

ROHS Compliant


Specifications:
Material:

Housing: Zinc alloy

Contacts: 50μ"/1.27μm gold plating over nickel over phosphor bronze

Grounding contacts: Stainless steel

Shutter: ABS+PC, UL94V-0, white

IDC:

Housing: PC, UL94V-2, grey colour (RAL7035)

Terminal: Tin plated phosphor bronze

Cable clamper: PC, UL94V-2, transparent colour

