

[QUICKSTART GUIDE]



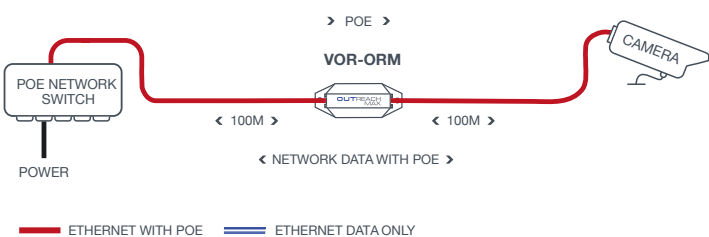
ETHERNET AND POE EXTENDER

OUTREACH[®]
MAX

[EXTEND ETHERNET WITH POE TO 200M]

- To extend Ethernet with POE, use OUTREACH Max to connect additional cable sections of up to 100m.
- OUTREACH devices use standard Cat 5e/6 type Ethernet cable and RJ45 connectors, with auto detect rate and crossover.
- OUTREACH Max should **ONLY** be connected to POE-compatible equipment.
- OUTREACH Max is transparent to POE and POE signatures, and will power up when **both** the POE source and powered device are connected.

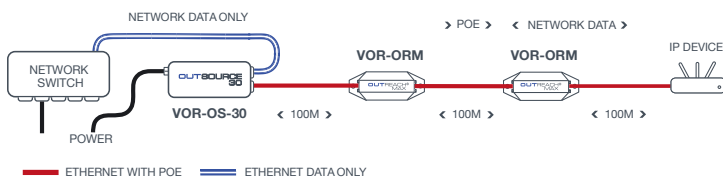
[APPLICATION | EXTEND TO 200M WITH POE]



[INCREASING RANGE ABOVE 200M]

- Multiple OUTREACH Max devices may be used to create connections longer than 200 metres, by joining multiple cable sections of up to 100m each.
- For extension to non-POE devices, the last OUTREACH device in the chain should be an OUTREACH Lite.

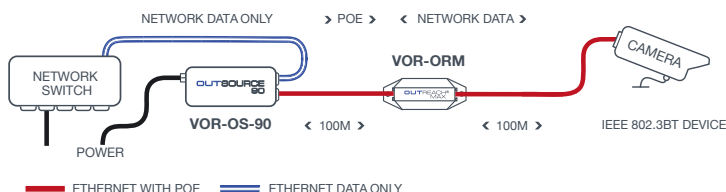
[APPLICATION | EXTENSION BEYOND 200M]



[INCREASE POWER WITH OUTSOURCE]

- For all configurations shown, OUTSOURCE POE injectors may be connected after the network switch for maximum POE power.
- OUTSOURCE 30 and OUTSOURCE 90 are IEEE-compliant (802.3at, 802.3bt) injectors specified for maximum power delivery.

[APPLICATION | USE OUTSOURCE FOR MAXIMUM POWER]

**This Device Complies with Part 15 of the FCC Rules.**

Operation is subject to the following two conditions: (1) this device may not cause harmful interference, and (2) this device must accept any interference received, including interference that may cause undesired operation.

NOTE: This equipment has been tested and found to comply with the limits for a Class B digital device, pursuant to Part 15 of the FCC Rules.

These limits are designed to provide reasonable protection against harmful interference when the equipment is operated in a commercial environment. This equipment generates, uses, and can radiate radio frequency energy and, if not installed and used in accordance with the instruction manual, may cause harmful interference to radio communications. Operation of this equipment in a residential area is likely to cause harmful

interference in which case the user will be required to correct the interference at their own expense.

Surge Protection

All Veracity products have been independently tested to verify their resilience to the stringent immunity levels of international standards.

Users should note that no electronic equipment can be guaranteed to be completely protected at levels beyond the defined standard; therefore product warranty cannot include damage to products which has been caused by surges exceeding those of the standards specified, for example lightning strike activity.

It is the user's responsibility to implement relevant surge protection measures, as appropriate to the installation. This may include the fitting of additional surge protection devices where required.

MAXIMUM RANGE FOR CAMERA POWER PER POE CLASS

POE SOURCE	4W	7W	13W	25W	40W	51W	62W	71W
IEEE 802.3af switch	<i>300m</i>	300m	200m	n/a	n/a	n/a	n/a	n/a
IEEE 802.3at switch	<i>300m</i>	<i>300m</i>	300m	300m	n/a	n/a	n/a	n/a
OUTSOURCE 30	<i>300m</i>	<i>300m</i>	<i>300m</i>	<i>300m</i>	n/a	n/a	n/a	n/a
OUTSOURCE 90	<i>300m</i>	<i>300m</i>	<i>300m</i>	<i>300m</i>	<i>300m</i>	250m	200m	200m

Ranges shown in italics can be higher using additional OUTREACH devices, but for ranges longer than 300m we recommend the use of Veracity LONGSPAN devices instead.

RANGE AND POWER REQUIREMENTS

- | The table above shows the range limits for Cat6 cable. Cat6 cable is recommended for devices requiring POE power levels of 20 watts or more.
- | The ranges and power levels in the table are approximate and depend on the cable, connector type, quality and condition.
- | OUTREACH Max supports 802.3bt, including OUTSOURCE 90 POE Injector units and most higher power POE sources.
- | Each OUTREACH Max device uses ~1.3 watts of POE power itself, which must be included when considering POE source, total distance, and device power.

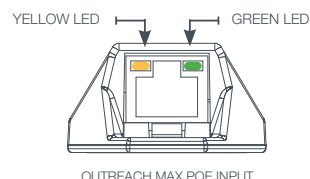
POWER LEVELS & LONGER DISTANCES

- | OUTREACH Max extenders may be installed 100m apart, so a 300m distance would require two OUTREACH Max units.
- | Longer distances can be achieved with additional units, but for distances beyond 300m, we recommend our LONGSPAN long range point-to-point adaptors.
- | All cables are subject to power losses, so deliverable POE power levels drop off with distance. Please refer to the table above.
- | We recommend Cat 6 cable for longer distance connections and higher power delivery, as this heavier gauge cable has lower power losses than Cat 5e cable.

SET UP | LED INDICATOR

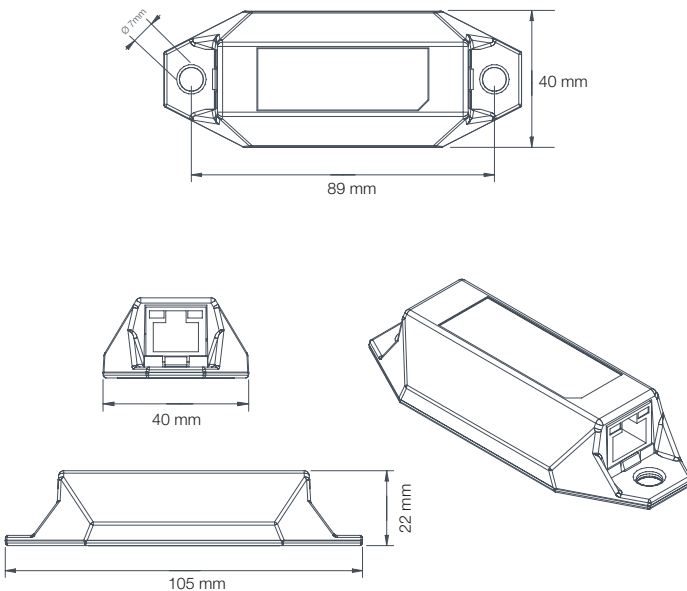
- | The IP camera or powered device should be connected to the OUTREACH and the OUTREACH should be connected to the POE switch or POE injector.
- | The OUTREACH will only power up when connected to the POE source **AND** the powered device. Once powered, the LEDs will illuminate.

OUTREACH MAX LEDS IN OPERATION



LEDS	FUNCTION
RJ45 Green	Power / Speed
On =	POE enabled
Off =	POE not enabled
RJ45 Yellow	Link / Activity
On =	Link established
Flash =	Network activity
Off =	No link

OUTREACH MAX DIMENSIONS



Veracity UK Ltd.
 Prestwick International Aerospace Park,
 4 Dow Road, Prestwick, KA9 2TU. UK

Veracity's Authorised Representative in the EU (as required by EU law for CE marked goods) is: Comply Express Unipessoal Limitada, StartUp Madeira, EV141, Campus da Penteadá, 9020 105 Funchal, Portugal.



© Veracity UK Ltd 2023 QSG DV1.5 EN
 OUTREACH Max is a registered trademark of Veracity UK Ltd