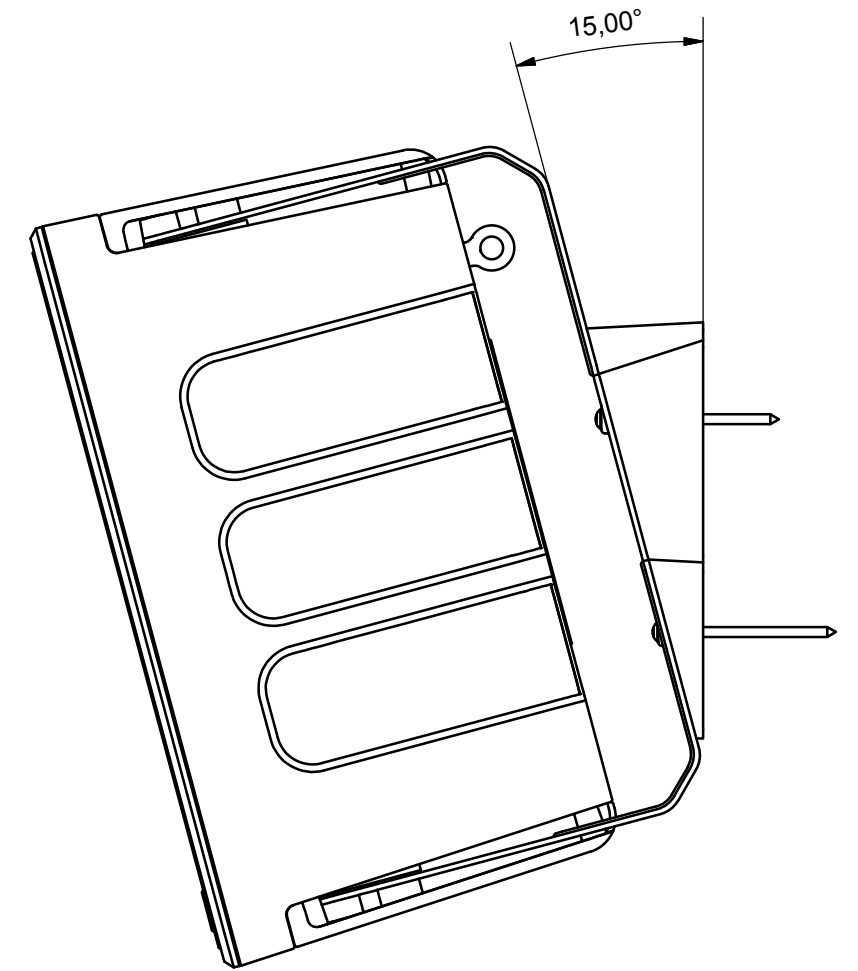
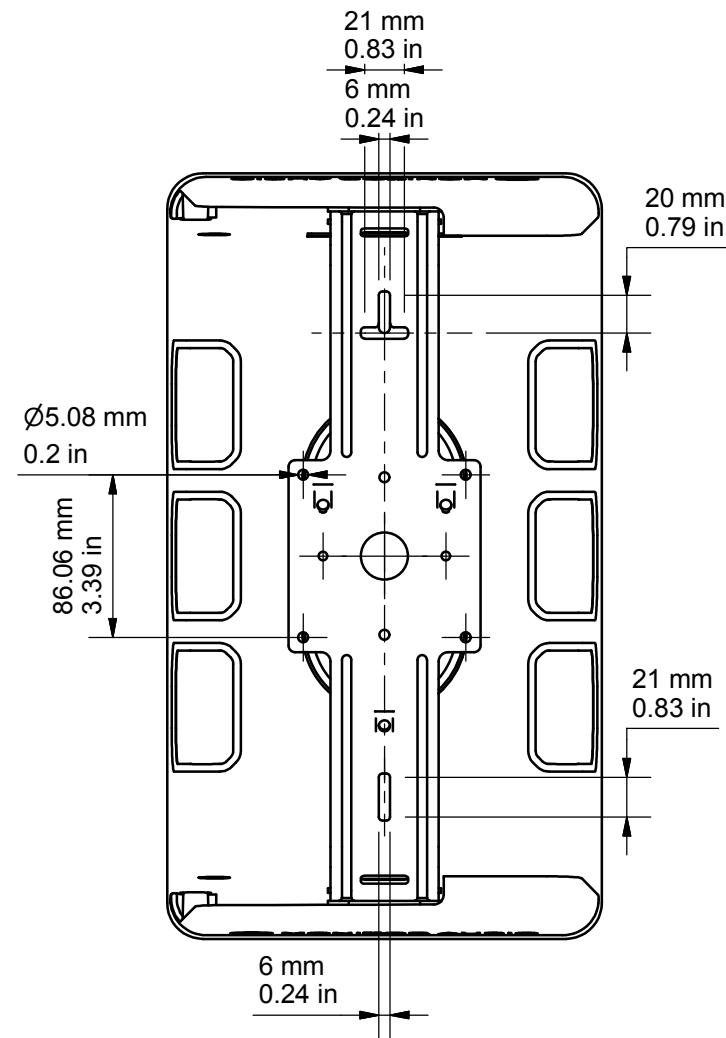
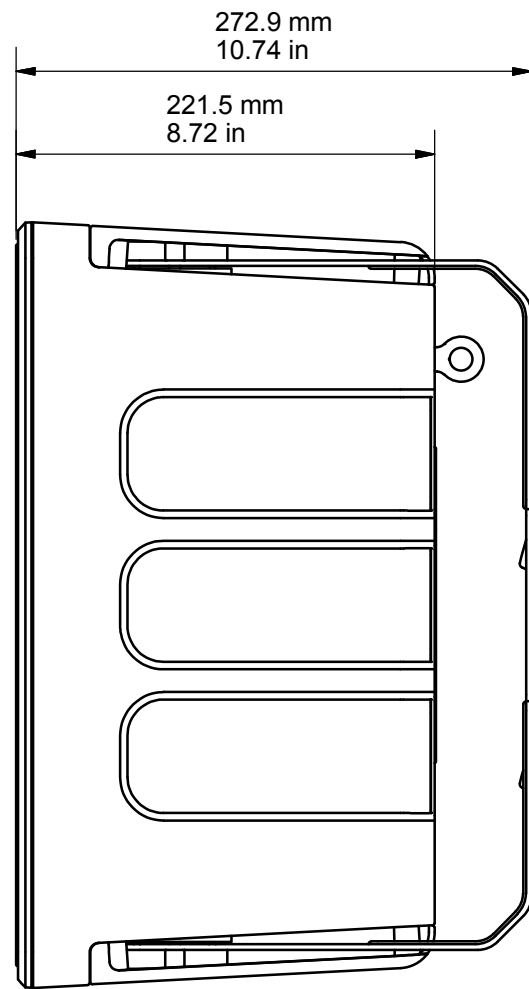
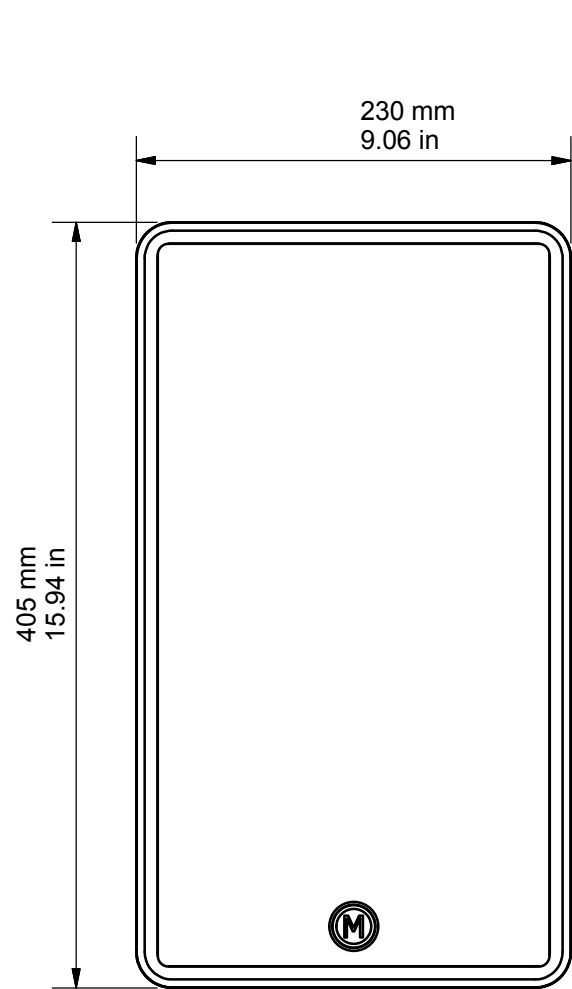




REMOVABLE TOP AND BOTTOM CAPS PROVIDE 180° ROTATION



WITH OPTIONAL ANGLE BLOCK

CL80



RANGE: CLIMATE

© COPYRIGHT MONITOR AUDIO

07/05/2015

