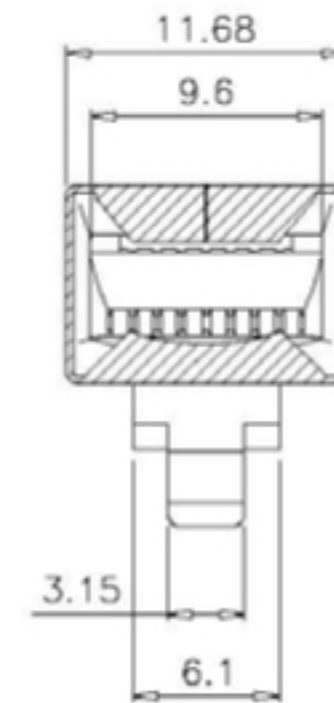
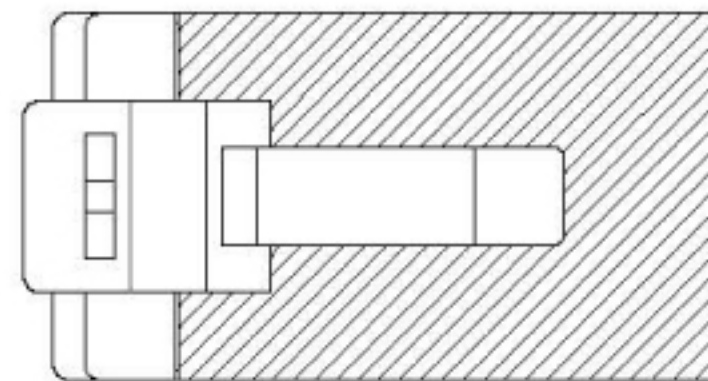
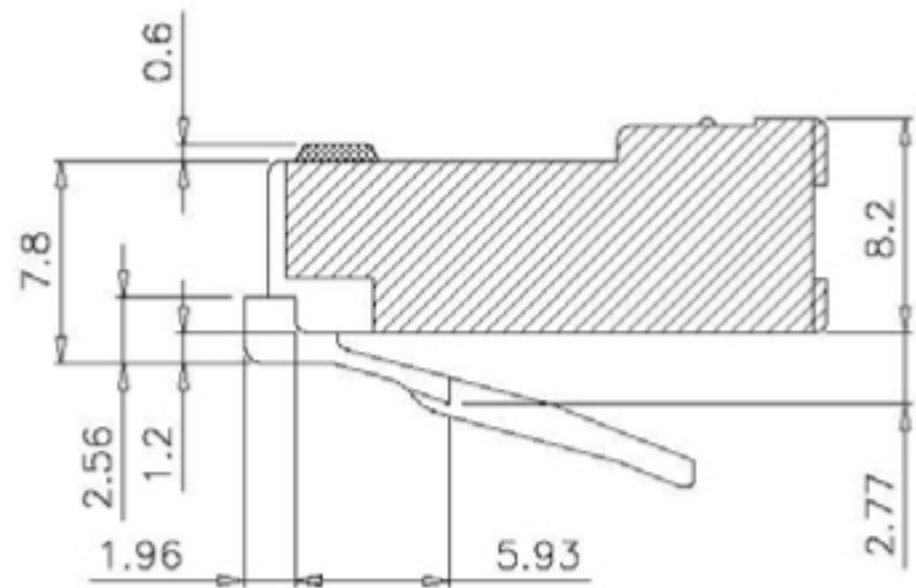
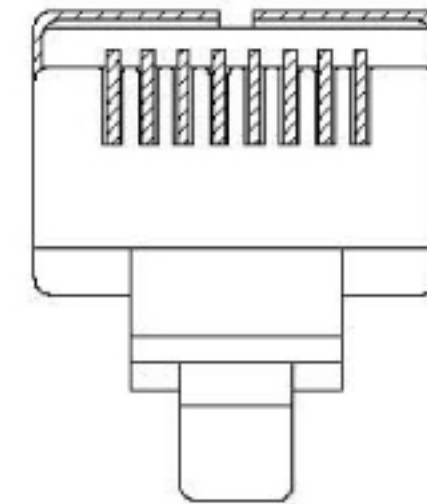
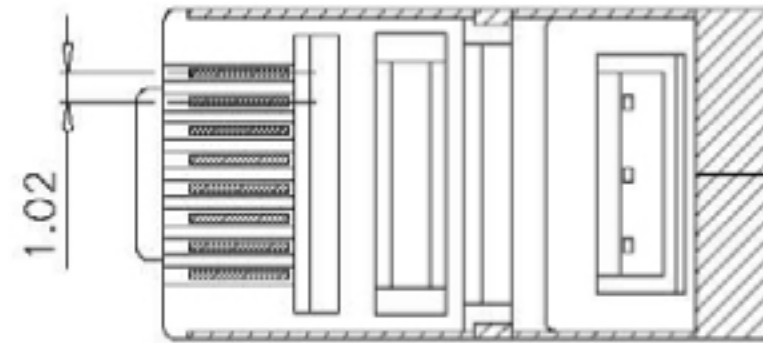
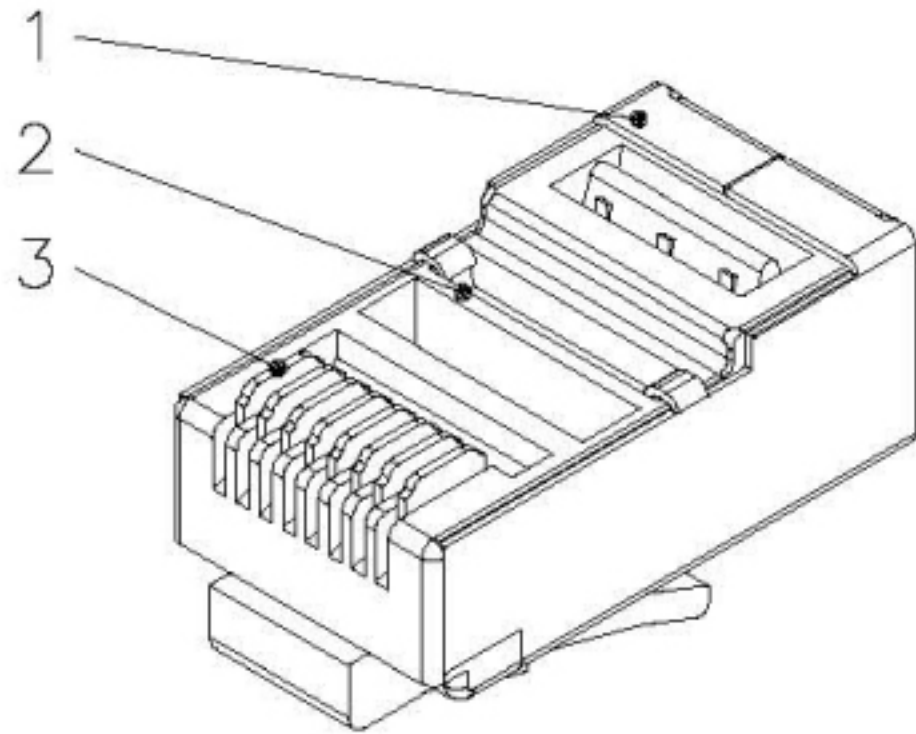


Item no.: 12.01.1089

ROLINE Cat. 5e Modular Plug, 8P8C, shielded



Specification :

Material :

1. Housing : Polycarbonate, UL 94V-2, Transparence color
2. Shield : Bronze with Nickel plated
3. Contact Terminal : Phosphor Bronze , **Straight Pin**
Finished : **50 micro-inch Gold plating**

Performance :

- a. Operation Temperature : -40°C to 80°C
- b. Cable to Plug Tensile Strength : 7.7 kgs
- c. Use for 24-26 AWG stranded wires

