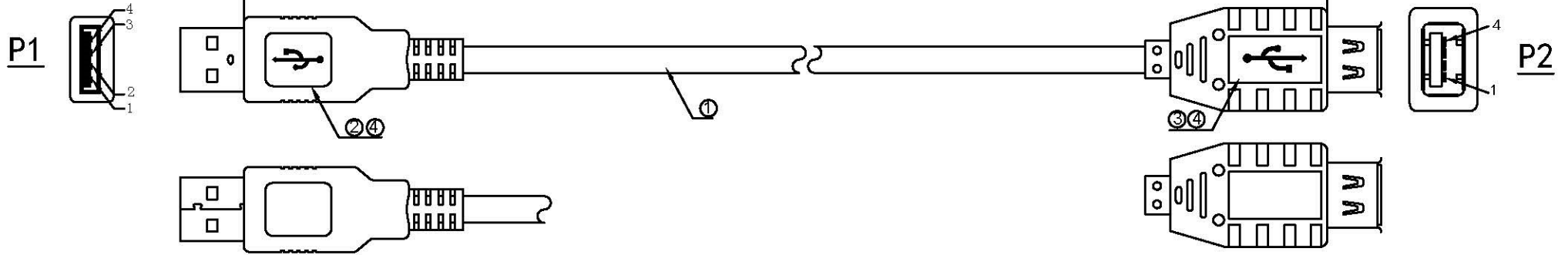


RoHS COMPLIANT

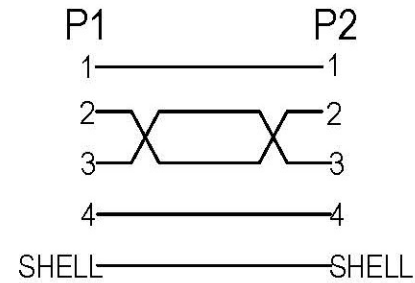
800 ± 30MM



NOTES:

1. CABLE: UL2725 28AWG\*1P+24AWG\*2C+AB (AM BRAID)  
OD=5.0MM JACKET: PVC BLACK;
2. CONN: USB A/M INSULATION: WHITE, SHELL NICKEL-PLATED  
CONTACT GOLD-PLATED 30U";
3. CONN: USB A/F INSULATION: WHITE, SHELL NICKEL-PLATED  
CONTACT GOLD-PLATED 30U";
4. OUTER MOLD: PVC 45P BLACK;

WIRE ADDRESS



ELECTRICAL TEST:

1. 100% TEST OPEN SHORT MIS-WIRE;
2. INSULATION RESISTANCE: 2M OHM MIN;

Company	Rotronic	Goods Code		Draw	FC038 ZYF	Date	2012-02-25		D		
ITEM NO	11.02.8947		Drawing Evidence:	Check		Date			C		
Goods NO				Approval		Date			B		
original NO.		Unit (MM)							VER. A	REVISE	Date