



TECHNOLOGY...SINCE 1937

www.antiference.co.uk

HDMI

HDMIE50V2
4K HDMI Extender up to 50m with PoC, HDMI Loop & IR Control



Thank you for purchasing this product

For optimum performance and safety, please read these instructions carefully, before connecting, operating or adjusting this product. Please keep this manual for future reference.

Surge Protection Device Recommended

This product contains sensitive electrical components that may be damaged by electrical spikes, surges, electric shock, lighting strikes, etc. Use of surge protection systems is highly recommended in order to protect and extend the life of your equipment.

Page	Contents
2	1. Introduction
3	2. Features
3	3. Package Contents
3	4. Operation Controls and Functions
3	4.1 Transmitter Panel
4	4.2 Receiver Panel
4	4.3 IR Pin Definition
5	5. Application Example
6	6. Specifications
7	7. Declaration of Conformity

1. Introduction

This Antiference HDMI Extender set sends full 4K (2160p) or HD (1080p) over a single CAT 6 cable to a remote location up to 50m. The kit contains a transmitter (TX) and receiver (RX) unit and features an IR control system to enable to user to control the 4K/HD source from the remote location.

DTS-HD or Dolby TrueHD audio is supported and the TX features an HDMI loop out to enable a local HDMI monitor/TV to be connected to the source directly. Includes HDCP2.2 support for 4k signals. In addition there is an EDID management system allowing the EDID of either of the external display unit(s) (EDUs) to be copied to the source for complete flexibility. Applications include SKY Q or SKY HD, CCTV or Blu Ray players etc.



2. Features

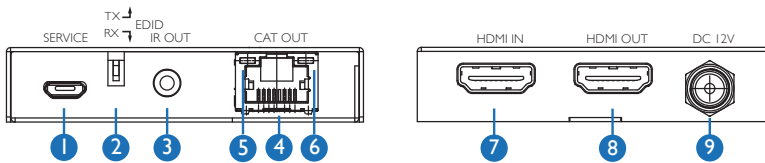
HDMI 2.0, HDCP 2.2/HDCP 1.4 and DVI 1.0 compliant
 Supports HDCP2.2 for 4k signals
 Supports 18Gbps bandwidth
 Supports video resolutions up to 4k2k@60Hz
 RGB/Ycbcr 4:4:4/Ycbcr 4:2:2, colour sampling
 HDMI loop output
 IR Control
 HDR Supported
 EDID management
 Compact design for easy and flexible installation.
 Compatible with a range of sources such as SKY Q/HD, Blu Ray Player, CCTV etc.

3. Package Contents

- 1 × HDMI2.0 Extender Transmitter
- 1 × HDMI2.0 Extender Receiver
- 1 × Wideband IR Transmitter cable
- 1 × Wideband IR Receiver cable
- 1 × 12V/1A Locking Power adapter
- 1 × User Manual

4. Operation Controls and Functions

4.1 Transmitter Panel

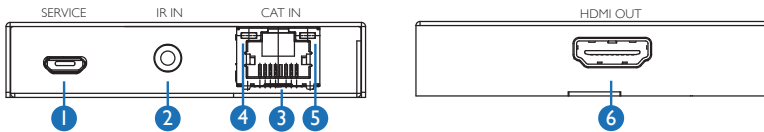


Number	Name	Function description
1	SERVICE port	Used for firmware updates.
2	COPY TX / RX	<ul style="list-style-type: none"> • When in “TX” position, the unit will copy the EDID of the HDMI loop output display device and send to the source device. • When in “RX” position, the unit will copy the EDID of the HDMI output display device at the remote location.



3	IR OUT	Connect IR transmitter cable.
4	CAT OUT	Connect to CAT IN port with a CAT6 cable.
5	Power Indicator LED	The LED will light when the transmitter power is on.
6	Signal LED	The LED will light when signal is being transmitted.
7	HDMI IN	Connect to HDMI source device such as SKY Q/HD, BDor CCTV with an HDMI cable.
8	HDMI Loop OUT	Connect a local HDMI display device such as TV or Projector with an HDMI cable.
9	DC 12V	Plug the 12V/1A adapter to AC wall outlet for power supply.

4.2 Receiver Panel



Number	Name	Function description
1	SERVICE port	Used for firmware updates.
2	IR IN	Connect IR Receiver cable.
3	CAT IN	Connect the CAT6 cable from the transmitter unit.
4	Power Indicator LED	The LED will light when power is being received from the transmitter unit.
5	Signal LED	The LED will light when signal is being received from the transmitter unit.
6	HDMI OUT	Connect an HDMI display device such as TV or Projector with an HDMI cable.

4.3 IR Sensors



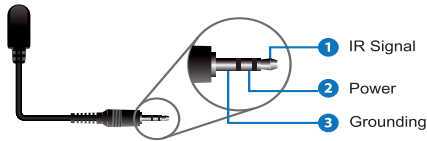
IR Receiver



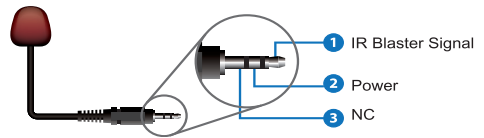
IR Transmitter - Blaster



4.3 IR Sensors

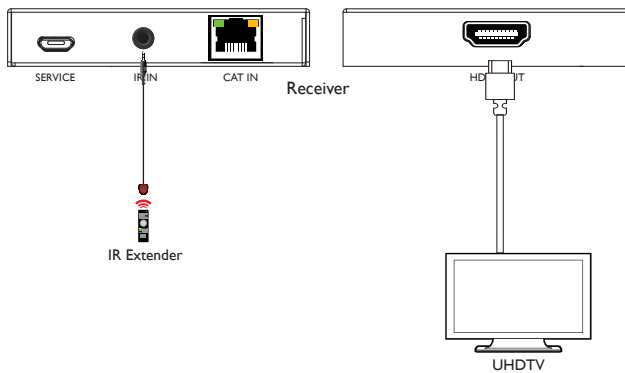
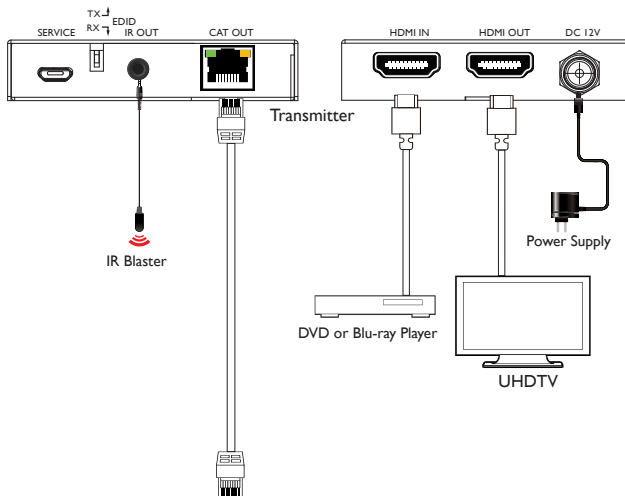


IR Receiver



IR Transmitter - Blaster

5. Application Example



6. Technical Specifications

TECHNICAL	
HDMI Compliance	HDMI 2.0
HDCP Compliance	HDCP 2.2/HDCP 1.4
Video Bandwidth	18Gbps
Video Resolution	Up to 4K60Hz 4:4:4
Color Space	RGB/YCbCr 4:4:4, YCbCr 4:2:2, YUV 4:2:0
Color Depth	8/10/12-bit
HDMI Audio Formats	LPCM, Dolby Digital/Plus/EX, Dolby True HD, DTS, DTS-EX, DTS-96/24, DTS High Res, DSD-HD Master, Audio, DSD
ESD Protection	Human body model—±8kV (Air-gap discharge) & ±4kV (Contact discharge)
CONNECTIONS	
Transmitter	Inputs: 1x HDMI Type A [19-pin female] 1x SERVICE [Micro USB, Update port] Outputs: 1x HDMI Type A [19-pin female] 1x IR OUT [3.5mm Stereo Mini-jack] 1x CAT OUT [RJ45, 8-pin female]
Receiver	Inputs: 1x IR IN [3.5mm Stereo Mini-jack] 1x CAT IN [RJ45, 8-pin female] 1x SERVICE [Micro USB, Update port] Outputs: 1x HDMI Type A [19-pin female]
Cable Distance Range	up to 50m 2160p/1080p@60Hz
MECHANICAL	
Housing	Metal Enclosure
Silkscreen Color	Black
Dimensions	101.5mm [W] x 69.3mm [D] x 13.3mm [H]
Weight	Transmitter: 150g, Receiver: 144g
Power Supply	Input: AC 100 - 240V 50/60Hz, Output: DC 12V/1A (US/EU standards, CE/FCC/UL certified)
Power Consumption	6.36W
Operation Temperature	32 - 104°F / 0 - 40°C
Storage Temperature	-20°C ~ 60°C / -4°F ~ 140°F
Relative Humidity	20~90% RH (non-condensing)



7. Declaration of Conformity

We, ANTIFERENCE LIMITED herewith declare that the HDMI Extender Kit complies with all essential requirements and any other applicable conditions set forth on directive 2014/30/EU.

According to the WEEE (Waste Electrical and Electronic Equipment) EU Directive, do not dispose of this product as household waste or commercial waste. Waste Electrical and Electronic Equipment should be appropriately collected and recycled as required by practices established for your country. For information on recycling of this product, please contact your local authorities, your household waste disposal service or the shop where you purchased the product.

A full declaration document can be found on our website:

www.antiference.co.uk





TECHNOLOGY... SINCE 1937

www.antiference.co.uk

