

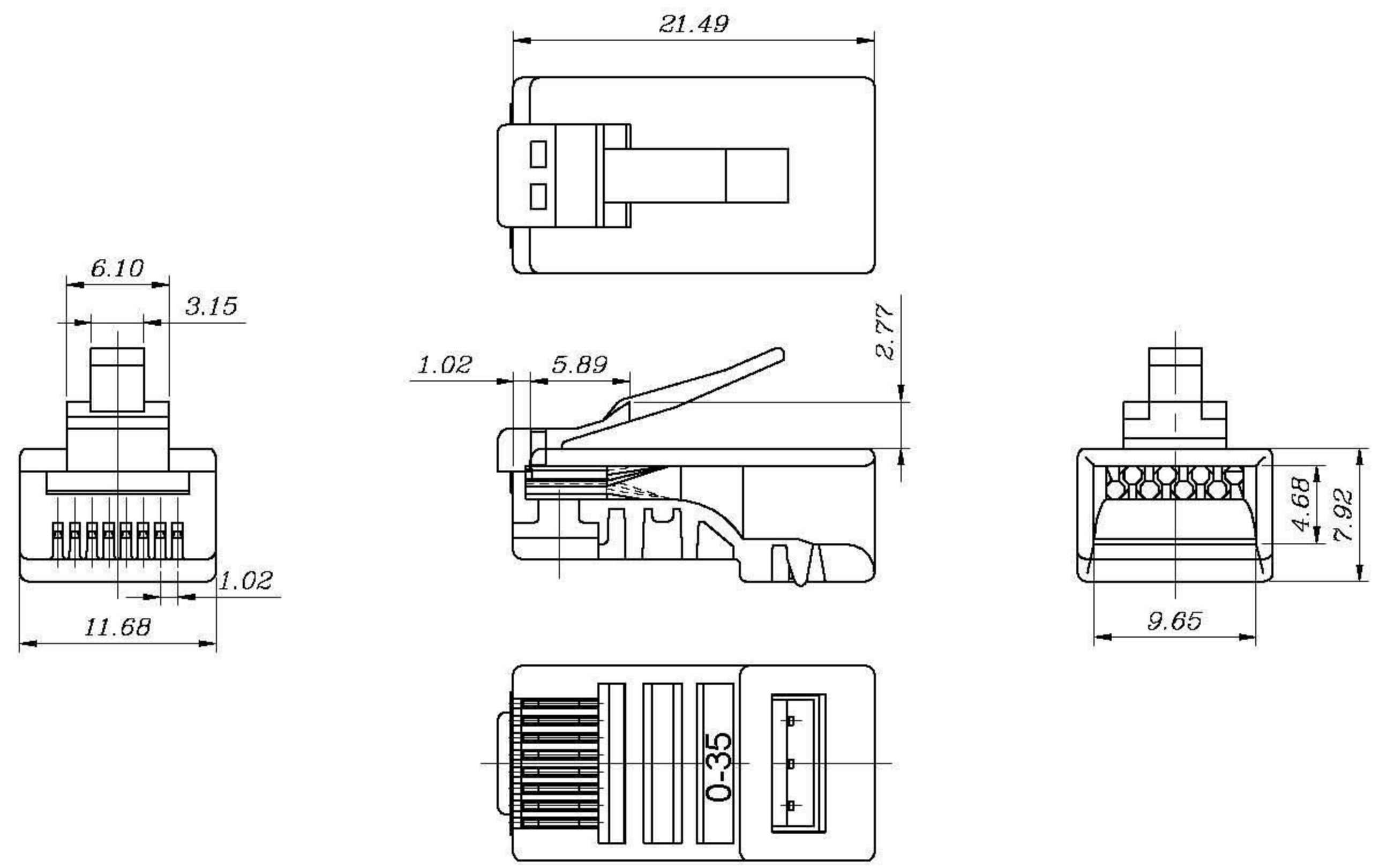
更改 REV	出图日期 DATE	设变内容 MODIFICATION	修改 DRAWN
	17/07/08		

SPECIFICATIONS

1. ELECTRICAL:
 UL APPLICATIONS: 250 VOLTS AC MAX., AT 2 AMPS.
 DIELECTRIC WITHSTANDING VOLTAGE: 500 VOLTS AC.
 INSULATION RESISTANCE: 100 MΩ.
 TERMINATION: RESISTANCE 20mΩ MAX AFTER ENVIRONMENTAL TESTING.

2. MECHANICAL:
 CABLE-TO-PLUG TENSILE STRENGTH: 20PUND MIN.
 DURABILITY: 200 MATING CYCLES.

3. MATERIAL & FINISH:
 HOUSING: POLYCARBONATE, UL94V-0 OR UL94V-2.
 COLOR: TRANSPARENT OR OTHER COLOR ARE AVAILABLE.
 CONTACT BLADE: COPPER ALLOY.
 CONDUCTOR: STRANDED & SOLID WIRE, 24AWG, 26 AWG.
 GOLD PLATING: 3u"~50u", ARE AVAILABLE.



ITEM: _____

BLADE:	E	Y	Z	A	YL	ZL			
Drawing									
Mark			✓			✓			
GOLD PLATING	3Mu"	3u"	6u"	15u"	30u"	50u"	CABLE TYPE	ROUND	FLAT
Mark					✓		Mark	✓	



Rotronic Co., Ltd.			
DIMENSION IN mm (Inch) TOLERANCE UNLESS OTHERWISE SPECIFIED	材质 MATERIAL PC	图号 DWG NO. 21.17.3060 PLUG-017	
.X±0.20	.X°±5°	名称 TITLE P88R5Z50V2T	
.XX±0.10	.XX°±2°	比例 SCALE 2/1	张数 SHEET 1/1
审核 APPROVAL 沈红波	核对 CHECKED 吴明	制图 DRAWN Lucia	角法 PROJ.
		更改 REV G	