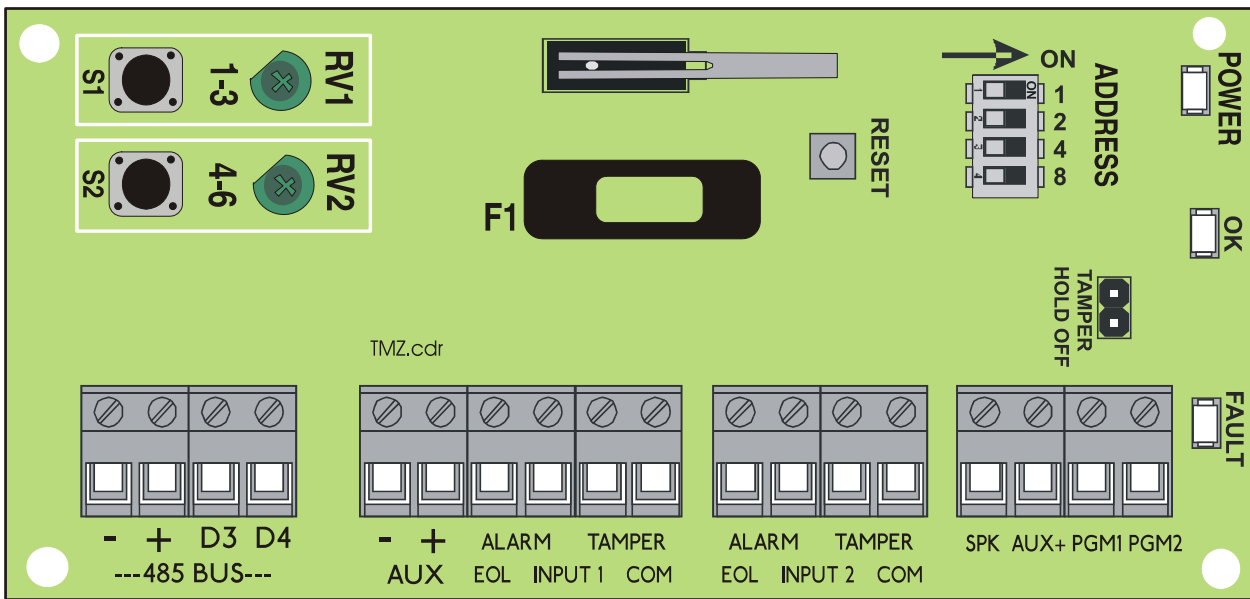


TMZ2 with SPEAKER

EURO-ZEM2P



For electrical products sold within the European Community. At the end of the electrical products life, it should not be disposed of with household waste. Please recycle where facilities exist. Check with your Local Authority or retailer for recycling advice in your country.



EN50131-3:2009
PD6662:2010
Security Grade 2
Environmental Class II

RINS1423-2

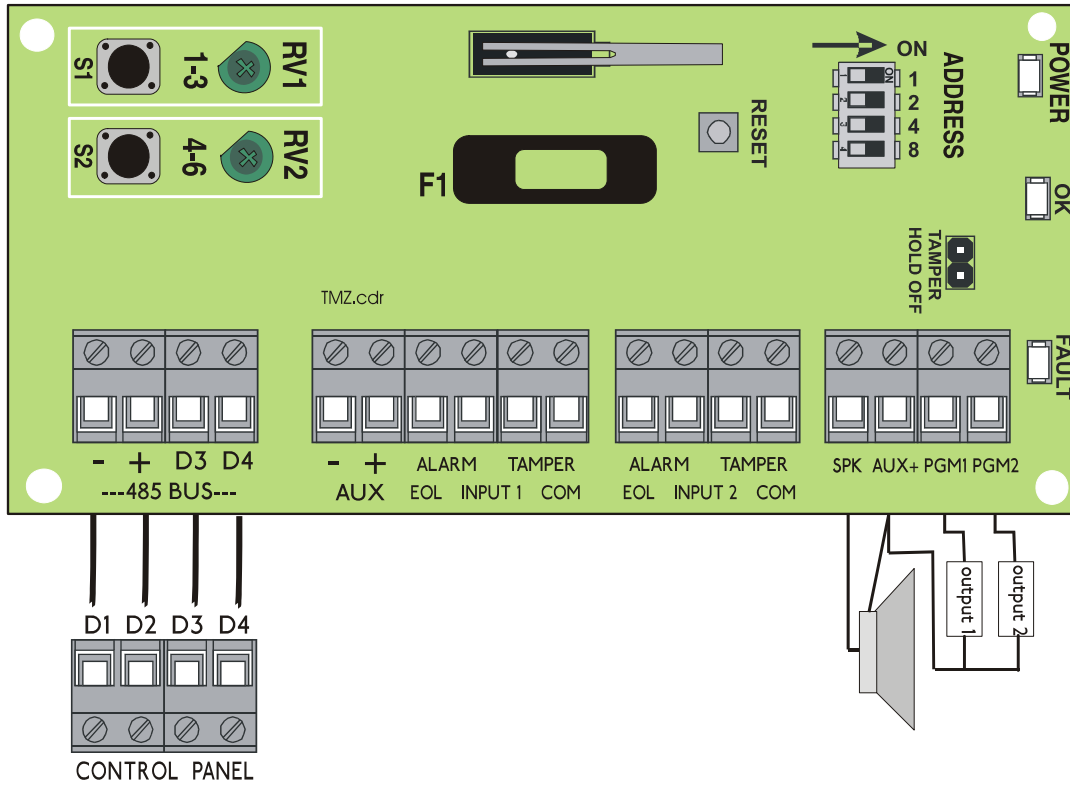
Subject to the grading of the overall system

INTRODUCTION

The TMZ is a 2-Double EoL zone expansion module that can be used for zone expansion, if the full number of Keypads/Tag Readers with zones available is not used. TMZs must be addressed in the **Tag Reader** sequence (**NOT** as a ZEM) and enabled in the “Assigning Keypads and Tag Readers” menu. A useful extra feature of the TMZ is that it can provide an Area Sounder output.

Double Pole wiring can only be used if the control panel is in 2K2 (tamper) and 4K7 (alarm) wiring mode.

INSTALLATION



OVERVIEW

TERMINALS

-	RS-485 0V Supply
+	RS-485 +12V Supply
D3	RS-485 'A' Data
D4	RS-485 'B' Data
0v	Auxiliary 0v supply
12v	Auxiliary 12v supply
Inputs	
A	Alarm double pole input
A	Alarm double pole input
T	Tamper double pole input
T	Tamper double pole input
EOL	End of line input alarm (A terminal)
COM	End of line input tamper (T terminal)

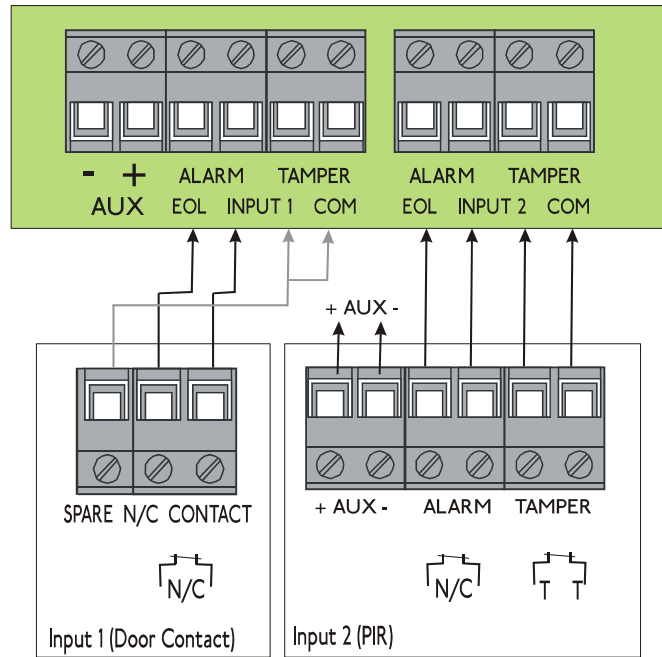
Outputs

SPK	Pulsed Speaker Output
AUX+	Auxiliary 12v for outputs
PGM1	Negative Trigger for programmable output 1
PGM2	Negative trigger for programmable output 2

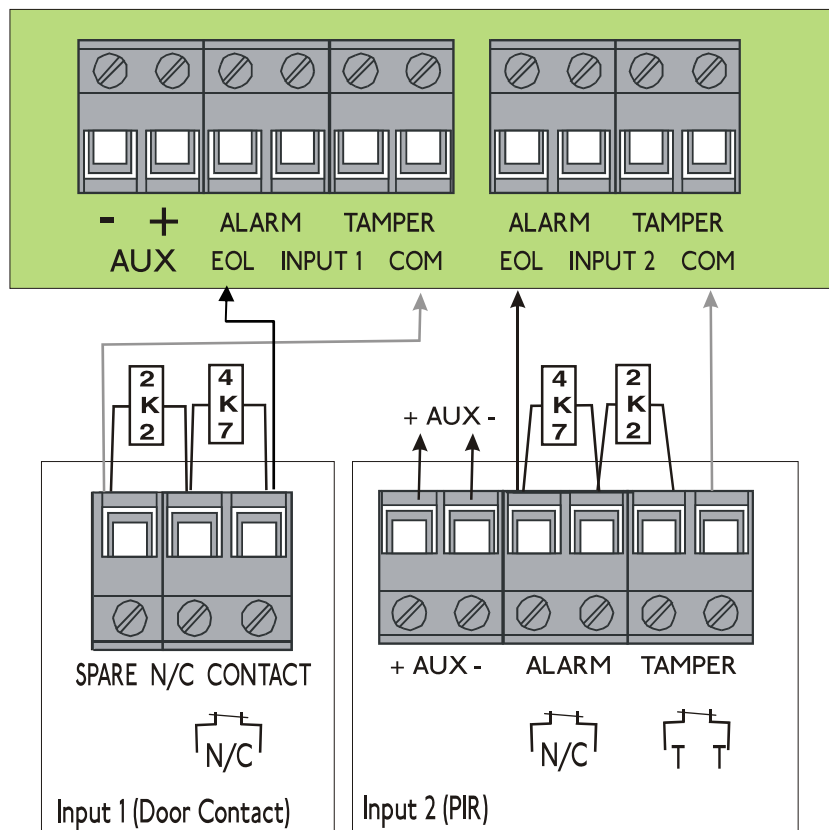
FUNCTIONS

RESET	Reset button that allows the reset of the ZEM to reinitialise address
Hold Off	Tamper connections for a plug on tamper for the outer casing
ADDRESS	Dip switches to address the expander to the control panel (see last page)
OK	Once addressed and assigned, the OK LED will flash green indicating that the RS485 bus has found it.
FAULT	If the expander hasn't been addressed or assigned properly then The FAULT LED will flash RED indicting a fault on the RS485 bus.

CONNECTING INPUTS (Double Pole)



CONNECTING INPUTS (Double End of Line)



TECHNICAL SPECIFICATION

Input Voltages: 10.5V to 15V DC

Loudspeaker: 16 ohm load

Quiescent Current: 40mA

Dimensions (PCB): 115 x 55 x 17 mm

Aux Output Current: 300mA

PGM Output Current: 300mA each

Operating Temp: -10°C to +40°C

Weight: 565g

Dimensions (Box): 209x134x51 mm

Replacement Fuse: 800mA

ADDRESSING

The expanders are addressed using the DIP switches onboard. After changing the address of the expander you must press the RESET button to reinitialise the device.

Switches should be slid towards the On or Off position as shown in the following table:

Address	Address Switch			
	1	2	4	8
00	OFF	OFF	OFF	OFF
01	ON	OFF	OFF	OFF
02	OFF	ON	OFF	OFF
03	ON	ON	OFF	OFF
04	OFF	OFF	ON	OFF
05	ON	OFF	ON	OFF
06	OFF	ON	ON	OFF
07	ON	ON	ON	OFF

Address	Address Switch			
	1	2	4	8
08	OFF	OFF	OFF	ON
09	ON	OFF	OFF	ON
10	OFF	ON	OFF	ON
11	ON	ON	OFF	ON
12	OFF	OFF	ON	ON
13	ON	OFF	ON	ON
14	OFF	ON	ON	ON
15	ON	ON	ON	ON

PROGRAMMING

TMZs must be addressed as a Tag reader in the **Tag Reader** sequence (**NOT** as a ZEM) and enabled in the “Assign Keypads and Tag Readers” menu. The areas selected in the “Set Point In” menu will determine for which areas the TMZ sounder output will follow.

It is possible for an engineer to customise the volume levels on the TMZ-2. The two potentiometers on the TMZ-2 (labelled RV1 and RV2) controls and overrides the volume set in the software (via the function 'Volume Control').

RV1 controls all volumes that are programmed in the Engineer Menu as levels 1-3. If for example the 'entry' volume is set at 2 in the software, then this can be adjusted to 'silent' by turning the potentiometer anti-clockwise at the TMZ (the volume will still be at level 2 at the keypads and all other internal sounders). The test button at the bottom of RV1 can be used to test the volume is suitable at any time.

RV2 controls all volumes that are programmed in the Engineer Menu as levels 4-6. If for example the 'exit' volume is set at 6 in the software, then this can be adjusted to be quieter by turning the potentiometer anti-clockwise at the TMZ (the volume will still be at level 6 at the keypads and all other internal sounders). The test button at the left of RV2 can be used to test the volume is suitable at any time.

Any volume that is set at level 7 will not be able to be adjusted at the TMZ. The “Volume Control” option within the panel’s engineer menu will also affect the overall volume of the TMZ.

Level 0: Silent

Level 1: Silent, with a beep at the end of entry/exit time to confirm

Levels 2-7: Graduated volume level with 2 being the quietest and 7 being the loudest.

NOTE: Pressing the buttons will not generate the test tone unless the TMZ is programmed into the system.

WARRANTY

This product is sold subject to our standard warranty conditions and is warranted against defects in workmanship for a period of 2 years. In the interest of continuing improvement of quality, customer care and design, we reserve the right to amend specifications without giving prior notice.

Customer Support: +44(0)845 6434 999 (local rate) or +44(0)1709 535225

Hours: Mon to Fri, 8:00am till 6:30pm