



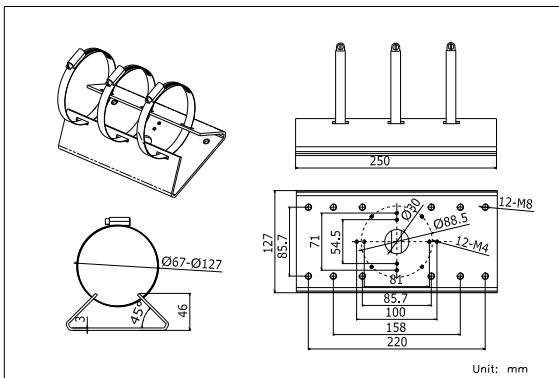
DS-1275ZJ

Vertical Pole Mount Bracket

Features:

- For pole mounting
- The clasp is made of stainless steel
- Mounting board is made of aluminum die-casting alloy

Dimension:



Order Model:

DS-1275ZJ

Parameter:

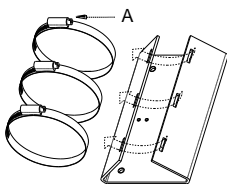
Model	DS-1275ZJ
Parameter	Vertical Pole Mount Bracket
Appearance	Hik White
Range of Application	It can be used with some wall mount bracket Diameter of clamp: Ø67mm-127mm
Material	Aluminum Alloy
Dimension	127×46×250mm
Weight	1205g

Notice:

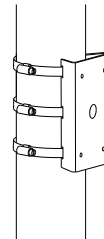
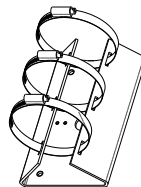
- The site of screw hole should be noticed when using with wall mount bracket
- Load capacity of pole should be more than 3 times the weight of camera and bracket
- Load capacity of clamp is 10KG

Installation Step:

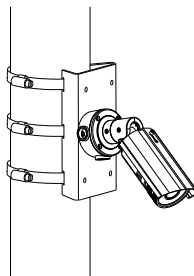
- ① Contrarotate the rotary knob and open the clamp
- ② Thread the clamp through the hole of mounting board
- ③ Clasp the clamp around the pole and rotate the rotary knob clockwise for tightening



A: Rotary knob



This bracket can be used with some wall mount bracket to realize vertical pole mount, which is as followed:



Note: The actual bracket may vary from the picture above.