

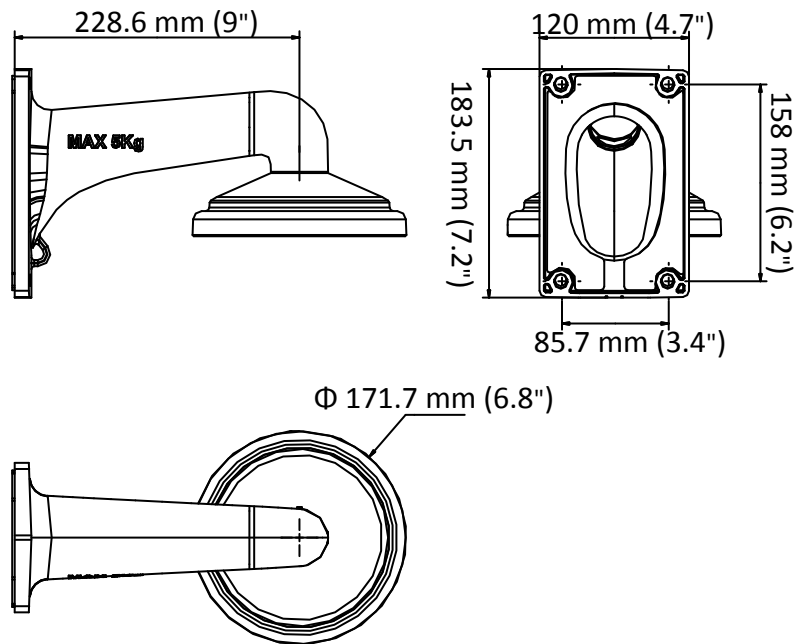
DS-1605ZJ

Wall Mounting Bracket for 4-inch PTZ Camera

Feature

- Aluminum alloy material with surface spray treatment
- Waterproof design

Dimension



Available Model

DS-1605ZJ

Parameter

| | |
|------------|---|
| Model | DS-1605ZJ |
| Parameters | Wall Mounting Bracket for 4-inch PTZ Camera |
| Appearance | Hikvision White |
| Material | Aluminum Alloy |
| Dimension | Φ 171.7 mm × 158 mm × 228.6 mm (6.8" × 6.2" × 9") |
| Weight | 1120 g (3.57 lb.) |

Note

- The bracket should be installed on the flat surface.
- The waterproof rubber is necessary for the outdoor application.
- The wall must be capable of supporting at least 3 times as much as the total weight of the camera and the bracket.
- The bracket's maximum load capacity is 5 Kg (11 lb.).