

## 4 MP HQA WDR IR Bullet Camera

HB74HD4/HB276HD4

Supercharge your analogue security system with Honeywell's HQA technology for high definition 4 MP images over your existing coax infrastructure. The Performance Series 4 MP HQA line includes a wide range of high performing IR cameras that are easy to install and even easier to use.

### Superior Image Quality

- Full HD 4 MP 12,5/15 fps image (25/30 fps @ 1080p) with a 1/3" 4.1 MP sensor
- Long distance transmission over coaxial cable with low attenuation and latency—up to 500m (1,640ft) using RG-59
- True Day/Night provides vivid color images by day and clear black-and-white images at night with ICR
- Excellent low-light performance with 2D/3D noise reduction

### Flexible Surveillance Solution

- 3.6 mm fixed lens (HB74HD4) or 2.7-12 mm Motorized Focus Zoom (MFZ) VF lens (HB276HD4)
- IR LEDs provide up to 40m (131ft) for HB74HD4 or 60m (200ft) for HB276HD4 of illumination in dimly lit or nighttime scenes (depending on scene reflectance)
- Smart IR technology provides even distribution of IR
- Weatherproof (IP66) camera housing
- -30°C to 60°C (-22°F to 140°F) working temperature
- Plug-and-play compatible with Honeywell HRHT 4/8/16-Channel Hybrid 4 MP HQA DVRs

### Easy to Install and Use

- HB74HD4: 12 VDC power input; HB276HD4: 12 VDC/24 VAC power input
- Uses existing BNC cabling—no rewiring required
- Remote configuration through web client or from the DVR



HB74HD4



HB276HD4

*These flexible, fully featured cameras are ideal for a wide range of surveillance applications, providing excellent picture quality at an affordable price.*

## FEATURES

- Low-light performance down to 0.01 lux (color) or 0 lux with IR LEDs on
- 120 dB True WDR supported
- Pole mount and corner mount options available
- HQA/CVBS video output

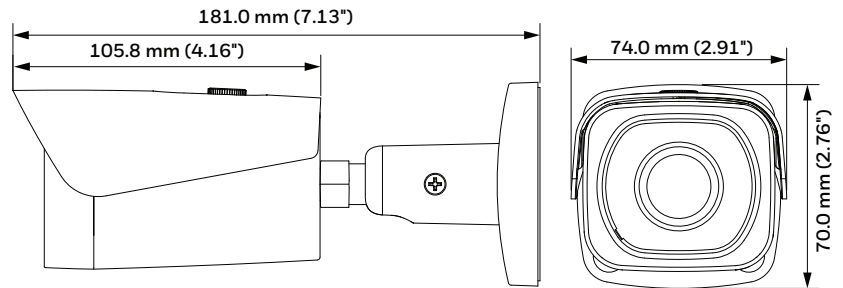
# 4 MP HQA WDR IR Bullet Camera

HB74HD4/HB276HD4

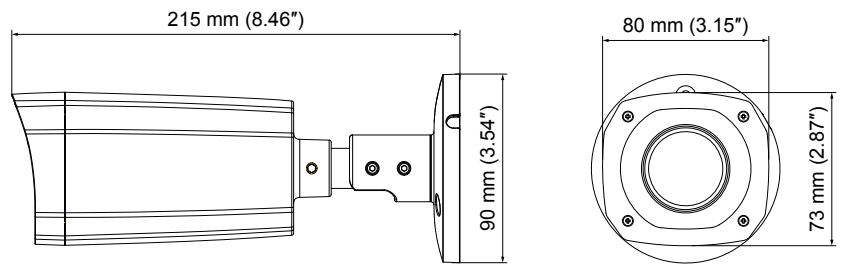
## SPECIFICATIONS

OPERATIONAL		ENVIRONMENTAL	
VIDEO STANDARD	NTSC/PAL	OPERATING TEMPERATURE	-30°C to 60°C (-22°F to 140°F) *Startup should be done at above -30°C (-22°F)
SCANNING SYSTEM	Progressive scan	STORAGE TEMPERATURE	-30°C to 60°C (-22°F to 140°F)
IMAGE SENSOR	1/3" 4.1 MP CMOS	RELATIVE HUMIDITY	0-90%, non-condensing
NUMBER OF PIXELS (H×V)	2688 (H) x 1520 (V)	INGRESS PROTECTION	IP66
ELECTRONIC SHUTTER SPEED	NTSC: 1/3 - 1/100 000 s; PAL: 1/4 - 1/100 000 s	<b>REGULATORY</b>	
MINIMUM ILLUMINATION	HB74HD4: 0.01 lux @ F1.5 (color), 0 lux (B/W with IR LEDs on) HB276HD4: 0.01 lux @ F1.3 (color), 0 lux (B/W with IR LEDs on)	EMISSIONS	EN 55032:2012+AC:2013
S/N RATIO	65 dB or more	IMMUNITY	EN 50130-4:2011, EN 55024:2010
RESOLUTION	4 MP (2560 x 1440)	SAFETY	EN 60950-1:2006+A11:2009+A1:2010+A12:2011+A2:2013
FRAME RATE	12,5/15 fps @ 4 MP; 25/30 fps @ 1080 p, 720p	RoSH	EN 50581:2012
VIDEO OUTPUT	1-channel BNC high definition video output; 1-channel BNC CVBS video output	<b>SYSTEM COMPATIBILITY</b>	
IR LEDs	HB74HD4: 2; HB276HD4: 4	HRHT	Hybrid 4 MP HQA DVRs
IR DISTANCE	HB74HD4: Up to 40 m (131 ft) HB276HD4: Up to 60 m (200 ft) *Depending on scene reflectance	<b>MOUNTS</b>	
DAY/NIGHT	Auto (ICR)/Color/BW	JUNCTION BOX	HB74HD4: HQA-BB1 HB276HD4: HBS2-BB
NOISE REDUCTION	2D/3D	POLE MOUNT	HB74HD4: HQA-BB1+HQA-PM2 HB276HD4: HBS2-BB+HQA-PM2
LENS	HB74HD4: 3.6 mm Fixed HB276HD4: 2.7-12 mm MFZ VF	CORNER MOUNT	HB74HD4: HQA-BB1+HB34S2-CM HB276HD4: HBS2-BB+HB34S2-CM
HORIZONTAL ANGLE OF VIEW	HB74HD4: 79°; HB276HD4: 98°-26°	<b>ELECTRICAL</b>	
<b>ELECTRICAL</b>		POWER SUPPLY	HB74HD4: 12 VDC ±25% HB276HD4: 12 VDC ±25% / 24 VAC ±25%
POWER CONSUMPTION	HB74HD4: 5.9 W max. (IR LEDs On) HB276HD4: 15.4 W max. (IR LEDs On)	<b>MECHANICAL</b>	
<b>MECHANICAL</b>		DIMENSIONS	HB74HD4: 181.0 × 74.0 × 70.0 mm (7.1 × 2.9 × 2.8 in.) HB276HD4: 214.8 × 79.7 × 73.4 mm (8.5 × 3.1 × 2.9 in.)
WEIGHT	HB74HD4: 0.4 kg (0.88 lb.) HB276HD4: 0.65 kg (1.43 lb.)	CONSTRUCTION	Die-cast aluminum
COLOR	RAL 9003 (White)		

HB74HD4



HB276HD4



## ORDERING

HB74HD4	4 MP HQA WDR IR Bullet Camera, 1/3" 4.1 MP CMOS, 3.6 mm Fixed Lens, 2 High-Powered IR LEDs, 12 VDC
HB276HD4	4 MP HQA WDR IR Bullet Camera, 1/3" 4.1 MP CMOS, 2.7-12 mm MFZ VF Lens, 4 High-Powered IR LEDs, 12 VDC / 24 VAC

### For more information

[www.honeywell.com/security/uk](http://www.honeywell.com/security/uk)

### Honeywell Security and Fire

Aston Fields Road  
Whitehouse Industrial Estate  
Runcorn  
Cheshire WA7 3DL  
Tel: 08448 000 235  
[www.honeywell.com](http://www.honeywell.com)

Honeywell reserves the right, without notification, to make changes in product design or specifications.

HSFV-HQABullet-01-UK(0717)-DS-R  
© 2017 Honeywell International Inc.

**Honeywell**  
THE POWER OF **CONNECTED**

# HB30XD2/HB41XD2

TDN 1080p IR Bullet Camera



HB30XD2



HB41XD2

HD

OPERATIONAL	
VIDEO STANDARD	NTSC/PAL
SCANNING SYSTEM	Progressive scan
IMAGE SENSOR	1/2.9" 2 MP CMOS
NUMBER OF PIXELS (H × V)	1920 × 1080
MINIMUM ILLUMINATION	HB30XD2: 0.02 lux colour @ F2.0, 0 lux B/W with IR LEDs on @ F2.0 HB41XD2: 0.02 lux colour @ F1.4, 0 lux B/W with IR LEDs on @ F1.4
S/N RATIO	> 65 dB
ELECTRONIC SHUTTER SPEED	NTSC: 1/30 – 1/100,000 s PAL: 1/25 – 1/100,000 s
RESOLUTION	1080p (1920 × 1080)
FRAME RATE	25/30 fps @ 1080p 25/30/50/60 fps @ 720p
VIDEO OUTPUT	1-channel BNC CVI/TVI/AHD/CVBS video output
IR DISTANCE	Up to 98 ft. (30 m), depending on scene reflectance
NUMBER OF IR LEDs	HB30XD2: 18 IR LEDs HB41XD2: 20 IR LEDs
SMART IR	Auto/Manual
DAY/NIGHT	Auto (ICR)/Manual
BACKLIGHT COMPENSATION	BLC/HLC/DWDR
WHITE BALANCE	Auto/Manual
GAIN CONTROL	AGC
WIDE DYNAMIC RANGE	DWDR
NOISE REDUCTION	2DNR
PRIVACY MASKING	Up to 8 configurable areas
LENS	HB30XD2: 3.6 mm, fixed lens, F2.0 HB41XD2: 2.7 – 13.5 mm, vari-focal lens, F1.4
HORIZONTAL ANGLE OF VIEW	HB30XD2: 82.8° HB41XD2: 104° ~ 27.5°
AUDIO	N/A

ELECTRICAL	
POWER SUPPLY	12 VDC ±25%
POWER CONSUMPTION	HB30XD2: 2.8 W max. (IR LEDs on) HB41XD2: 2.5 W max. (IR LEDs on)
MECHANICAL	
DIMENSIONS	HB30XD2: 164.8 mm × 69.7 mm × 71.0 mm (6.49" × 2.74" × 2.79") HB41XD2: 214.8 mm × 90.4 mm × 90.4 mm (8.46" × 3.56" × 3.56")
PRODUCT WEIGHT	HB30XD2: 0.77 lb. (0.35 kg) HB41XD2: 1.21 lb. ()
PACKAGE WEIGHT	HB30XD2: 0.48 kg (1.06 lb.) HB41XD2: 0.68 kg (1.50 lb.)
CONSTRUCTION	Die-cast aluminum housing with powder coat
CONSTRUCTION COLOUR	RAL 9003 (White)
ENVIRONMENTAL	
OPERATING TEMPERATURE	-40°C to 60°C (-40°F to 140°F)
COLD START	Startup should be done at above -40°C (-40°F)
STORAGE TEMPERATURE	-40°C to 60°C (-40°F to 140°F)
RELATIVE HUMIDITY	Less than 90%, non-condensing
INGRESS PROTECTION	IP66
REGULATORY	
EMISSIONS	EN55032, ANSI C63.4-2014
IMMUNITY	EN50130-4
SAFETY	EU: EN60950-1
ROHS	EN50581

## RECOMMENDED ACCESSORIES

SYSTEM COMPATIBILITY	
HRHQ104* HQA DVRS	4-channel, 720p@120/100 fps, 1080p@60/50 fps, 1 SATA, alarm I/O
HRHQ108* HQA DVRS	8-channel, 720p@240/200 fps, 1080p@120/100 fps, 2 SATA, alarm I/O
HRHQ116* HQA DVRS	16-channel, 720p@480/400 fps, 1080p@240/200 fps, 2 SATA, alarm I/O

HOUSING AND MOUNTS		
HQA-PM2**		Pole Mount Adapter
HB34S2-CM**		Corner Mount Adapter
HBS2-BB		Junction Box
HEJB		Junction Box

\* Pre-installed storage (TB).

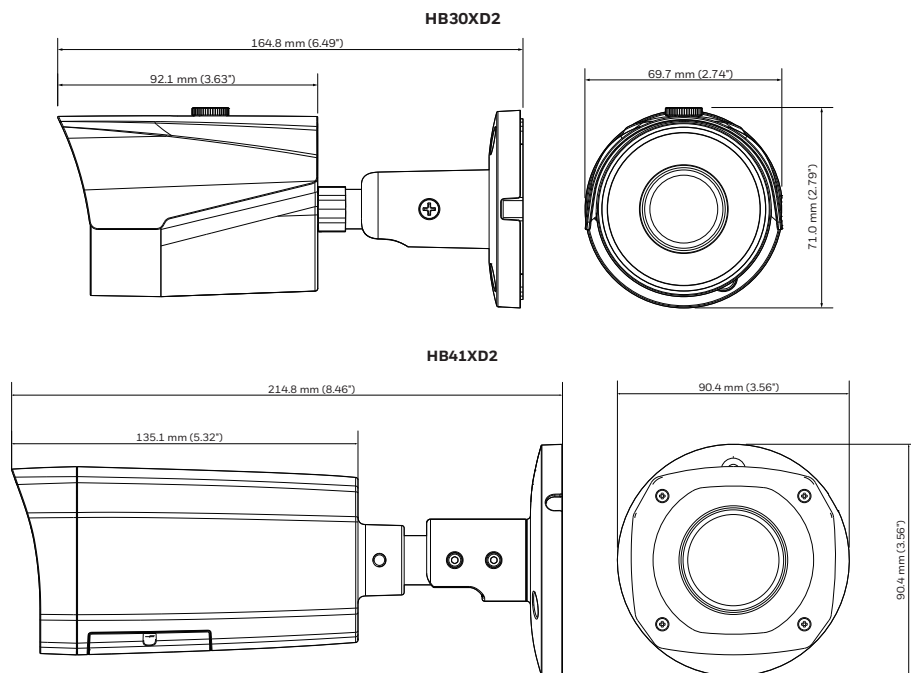
\*\* The HBS2-BB or HEJB junction box must be used when installing the camera to HQA-PM2 or HB34S2-CM.

# TDN 1080p IR Bullet Cameras

## ORDERING

HB30XD2	TDN 1080p IR Bullet Camera, 1/2.9" 2 MP CMOS, 3.6 mm Fixed Lens, 18 IR LEDs, 12 VDC, IP66
HB41XD2	TDN 1080p IR Bullet Camera, 1/2.9" 2 MP CMOS, 2.7–13.5 mm Vari-focal Lens, 20 IR LEDs, 12 VDC, IP66

## DIMENSIONS



### For more information

[www.honeywell.com/security](http://www.honeywell.com/security)

### Honeywell Security and Fire

Aston Fields Road  
Whitehouse Industrial Estate  
Runcorn, Cheshire, WA7 3DL  
United Kingdom  
Tel: +44 (0)8448 000 235  
[www.honeywell.com](http://www.honeywell.com)

### Honeywell Security Office -

Emaar Business Park, Sheikh Zayed Road  
Building No. 2, 2nd floor, 201  
Post Office Box 232362  
Dubai, United Arab Emirates  
Tel: +971 44541704  
[www.honeywell.com](http://www.honeywell.com)

Honeywell reserves the right, without notification, to make changes in product design or specifications.

HSFV-HB30XD2D-01-UK(O917)DS-E  
November 2017  
© 2017 Honeywell International Inc.

**Honeywell**