

## DS-2CD4A26FWD-IZS/P 2 MP ANPR Ultra-Low Light Bullet Camera

**DARK FIGHTER**



### smart IPC

The ANPR series ultra-low light smart cameras are able to capture vehicle and recognize vehicle number plate of various countries and regions in dim light environment.

DS-2CD4A26FWD-IZS/P offers high resolution, 120dB WDR, Auto-iris, PoE, Defog, EIS, 3D DNR, etc., to meet a wide variety of applications.

- 1/1.8" Progressive Scan CMOS
- 1920 × 1080 @ 60fps
- Ultra-low light
- Auto-iris
- 120dB WDR
- IP66
- IR/white light range up to 30 m
- Capture rate > 99% (certain countries and regions)
- Recognition rate > 98% (certain countries and regions)



## Function Description

### Vehicle Detection and LPR

- Support countries and regions of Mid-East, Africa, Asia-Pacific, America, Europe, Russian-speaking Countries.
- In European and Russian-speaking regions, capture rate exceeds 99%, recognition rate exceeds 98%.

### Smart

- Smart recording: support edge recording and dual-VCA
- Smart encoding: support low bit rate, low latency, ROI enhance encoding

### Image

- 1920 × 1080 @60fps
- Support auto iris, DC-drive
- Support rotate mode, suitable for environment as corridor
- Support target cropping, details can be seen with low bandwidth
- Streaming smoothness setting for different requirements of image quality and fluency
- Support H.264+/H.264/MPEG4/MJPEG video compression, multi-level video quality configuration; support Baseline Profile/Main Profile/High Profile H.264 encoding complexity.
- Multiple OSD color: Black & white self-adaptive; Custom
- 120dB WDR is supportable for backlight environment
- Support defog, BLC, EIS, 3D DNR

### System

- Support ONVIF (profile S/profile G), CGI, PSIA,ISAPI protocol
- Support three streams, and support 20 channels live view at the same time
- Lightning protection, surge protection, voltage transient protection, anti-static protection

### Interface

- Support standard 128G microSD/SDHC/SDXC card storage
- Support 10M/100M Ethernet port
- Support Audio I/O (-S)
- Support Alarm I/O (-S)
- Support CVBS analog output (4CIF resolution)

### Security

- Support three-level user authentication management, user and password authorization, and IP address filtering
- Support security certificate as HTTPS
- Lock user IP after certain times failed login attempts

## Specifications

<b>Camera</b>	
Image Sensor	1/1.8" Progressive Scan CMOS
Min. Illumination	Color: 0.002 Lux @ (F1.2, AGC ON), 0.0027 Lux @ (F1.4, AGC ON), 0 Lux with IR
Shutter Speed	1 s to 1/100,000 s, supports slow shutter
Lens	2.8 mm to 12 mm, F1.4, horizontal field of view: 92° to 32° 8 mm to 32 mm, F1.6, horizontal field of view: 42° to 13.5°
Auto-iris	DC drive
Day & Night	IR cut filter with auto switch
Digital Noise Reduction	3D DNR
WDR	120dB
<b>Compression Standard</b>	
Video Compression	Main stream: H.264/MPEG4 Sub stream: H.264/MPEG4/MJPEG Third stream: H.264/MPEG4/MJPEG
H.264 Type	Baseline Profile/Main Profile/High Profile
H.264+	Support
Video Bit Rate	32 Kbps to 16 Mbps
Audio Compression (-S)	G.711/G.722.1/G.726/MP2L2
Audio Bit Rate (-S)	64Kbps (G.711) /16Kbps (G.722.1) /16Kbps (G.726) /32-160Kbps (MP2L2)
<b>Image</b>	
Max. Resolution	1920 × 1080
Main Stream Max. Frame Rate	50Hz: 50fps (1920 × 1080, 1280 × 960, 1280 × 720) 60Hz: 60fps (1920 × 1080, 1280 × 960, 1280 × 720)
Sub Stream Max. Frame Rate	50Hz: 25fps (704 × 576, 640 × 480, 352 × 288) 60Hz: 30fps (704 × 480, 640 × 480, 352 × 240)
Third Stream Max. Frame Rate	50Hz: 25fps (1920 × 1080, 1280 × 960, 1280 × 720, 704 × 576, 640 × 480, 352 × 288) 60Hz: 30fps (1920 × 1080, 1280 × 960, 1280 × 720, 704 × 480, 640 × 480, 352 × 240)
Image Enhancement	BLC /3D DNR/Defog/EIS
Image Setting	Rotate mode, saturation, brightness, contrast, sharpness adjustable by client software or web browser
Region of Interest	Support 4 fixed region for each stream, and dynamic tracking
Target Cropping	Support
Day/Night Switch	Auto/Schedule/Triggered by Alarm In (-S)
Picture Overlay	LOGO picture can be overlaid on video with 128 × 128 24bit bmp format
<b>Road Traffic and Vehicle Detection</b>	
Accuracy	<b>European and Russian-Speaking Regions:</b> Capture Rate > 99% Recognition Rate > 98%
Vehicle Speed	Support vehicle speed under 120 km/h (74.6 mi/h)
Line number	Up to 4 lines supported. Recommended to set 1 or 2 lines for best performance
Direction	Support capture and recognition of vehicles both approaching and leaving
Whitelist and Blacklist	Up to 2048

Countries and Regions	<p><b>Mid-East:</b> Turkey, United Arab Emirates, Qatar, Iran, Iraq, Morocco, Egypt, Jordan, Kuwait, Saudi Arabia, Tunisia, Palestine, Pakistan</p> <p><b>Africa:</b> South Africa, Kenya, Nigeria, Tanzania, Mauritius</p> <p><b>Asia-Pacific:</b> Australia, Mauritius, New Zealand, Indonesia, Malaysia, Singapore, South Korea, Thailand, Vietnam, the Philippines, Hong Kong, Macao, Taiwan, Burma, Japan, India, Mongolia</p> <p><b>America:</b> United States of America, Colombia, Brazil, Ecuador, Peru, Mexico</p> <p><b>Europe:</b> Slovakia, Italy, Spain, France, Germany, Poland, France, Czech Republic, Netherlands, Denmark, Luxembourg, Greece, Albania, Bosnia and Herzegovina, Ireland, Malta, Sweden, Switzerland, Portugal, Macedonia, Croatia, Finland, United Kingdom, Romania, Serbia, Bulgaria, Norway, Israel, Hungary, Austria, Vatican City State, Cyprus, Iceland, Slovenia, Turkey, Montenegro</p> <p><b>Russian-Speaking Countries:</b> Azerbaijan, Belarus, Kazakhstan, Lithuania, Georgia, Estonia, Latvia, Armenia, Russian Federation, Ukraine, Moldova, Belarus, Turkmenistan, Uzbekistan</p>
<b>Network</b>	
Network Storage	Support microSD/SDHC/SDXC card (128G), local storage and NAS (NFS,SMB/CIFS)ANR
Alarm Trigger	Road traffic, motion detection, video tampering alarm, network disconnected, IP address conflict, illegal login, HDD full, HDD error
Protocols	TCP/IP,ICMP,HTTP,HTTPS,FTP,DHCP,DNS,DDNS,RTP,RTSP,RTCP,PPPoE,NTP,UPnP,SMTP,SNMP,IGMP,802.1X, QoS, IPv6
General Function	One-key reset, anti-flicker, three streams, heartbeat, password protection, privacy mask, watermark, IP address filter, mirror
Standard	ONVIF(profile S, profile G), PSIA,CGI,ISAPI
<b>Interface</b>	
Communication Interface	1 RJ45 10M/100M Ethernet port
Audio (-S)	With -S model: 1 audio input(line in/mic in), 1 audio output
Alarm (-S)	With -S model: 1 input, 1 output
Video Output	1Vp-p composite output (75 Ω/BNC)
On-board storage	Built-in microSD/SDHC/SDXC slot, up to 128 G
Reset Button	Yes
<b>Audio (-S)</b>	
Environment Noise Filtering	Support
Audio I/O	Support
Audio Sampling Rate	16kHz/32kHz/44.1kHz/48 kHz
<b>General</b>	
Operating Conditions	-IZS/P, -IZ/P, -LZS/P: -30 °C to +60 °C ( -22 °F to +140 °F), Humidity 95% or less (non -condensing) -IZHS/P: -40 °C to +65 °C ( -40 °F to +149 °F), Humidity 95% or less (non -condensing)
Power Supply	12 VDC ± 10%, terminal block PoE (802.3at, class 4)
Power Consumption and Current	-(IZS)(IZ)/P: 12 VDC, max. 13.3 W, 1.2 A; PoE, max. 17.6 W, 0.3 A to 0.5 A
IR	-IZ/P, -IZS/P, -IZHS/P: 850 nm IR wavelength, up to 30 meters IR range

Protection	IP66
Dimensions	Camera: 100 × 103.9 × 311.8 mm (3.94" × 4.09" × 12.28") Package: 386 × 156 × 155 mm (15.20" × 6.14" × 6.10")
Weight	2075 g (4.57 lb.)

## Available Models:

DS-2CD4A26FWD-IZ/P, DS-2CD4A26FWD-IZS/P, DS-2CD4A26FWD-IZHS/P, DS-2CD4A26FWD-LZS/P

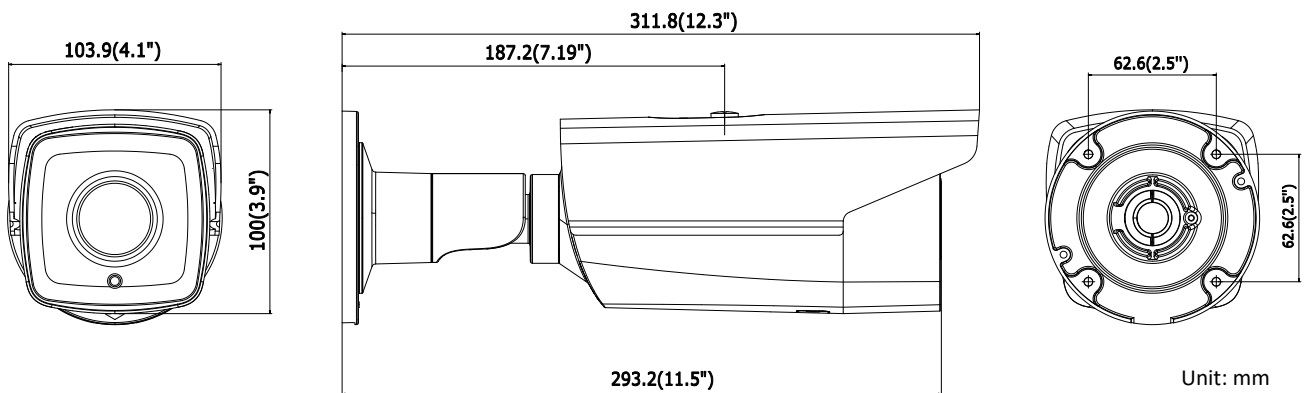
\*With -I model supports IR supplement

\*With -H model supports heater

\*With -L model supports white light supplement

## Dimensions

-IZ/P, -IZS/P, -IZHS/P:



**Accessories****DS-1275ZJ**  
Vertical pole mount**DS-1280ZJ-S**  
Junction box**DS-1260ZJ**  
Junction box**DS-1276ZJ**  
Corner mount

Distributed by

**HIKVISION****Headquarters**No.555 Qianmo Road, Binjiang District,  
Hangzhou 310051, China  
T +86-571-8807-5998  
overseasbusiness@hikvision.com**Hikvision USA**  
T +1-909-895-0400  
sales.usa@hikvision.com**Hikvision Italy**  
T +39-0438-6902  
info.it@hikvision.com**Hikvision Singapore**  
T +65-6684-4718  
sg@hikvision.com**Hikvision Africa**  
T +27 (10) 0351172  
sale.africa@hikvision.com**Hikvision Europe**  
T +31-23-55-42-770  
info.eu@hikvision.com**Hikvision France**  
T +33(0)1-85-330-450  
info.fr@hikvision.com**Hikvision Oceania**  
T +61-2-8599-4233  
salesau@hikvision.com**Hikvision Hong Kong**  
T +852-2151-1761**Hikvision Middle East**  
T +971-4-8816086  
salesme@hikvision.com**Hikvision Spain**  
T +34-91-737-16-55  
info.es@hikvision.com**Hikvision Canada**  
T +1-909-895-0400  
sales.usa@hikvision.com**Hikvision Russia**  
T +7-495-669-67-99  
saleru@hikvision.com**Hikvision Poland**  
T +48-22-460-01-50  
poland@hikvision.com**Hikvision Korea**  
T +82-31-731-8841  
sales.korea@hikvision.com**Hikvision India**  
T +91-22-28469900  
sales@pramahikvision.com**Hikvision UK**  
T +01628-902140  
support.uk@hikvision.com**Hikvision Brazil**  
T +55 11 3318-0050  
Latam.support@hikvision.com