



55MPH
Max
Speed

2MP

2 - 15M
NPC

Adjustable
IR

AIR4528NPC-AHD

Concept Pro 2MP NPC AHD Motorised External Bullet Camera

The AIR4528NPC-AHD is a 2MP AHD number plate capture Camera that supports AHD, TVI, CVI and CVBS as well. This camera is designed to capture vehicle number plates at a range of up to 15m up to max speed of 55mph, making it suitable for shorter range requirements with relatively slower vehicle speeds, such as car park entrances and security barriers whilst retaining the ability to work effectively at higher speeds.

The camera offers exceptional image quality in a variety of light levels by allowing the user to configure the strength of the IR based on the environment the camera is installed in. Ensuring the perfect picture quality to record the vehicle registration plates that come into view of the camera.

KEY FEATURES

- ◆ 2MP Analogue High Definition
- ◆ Advanced Infrared Technology
- ◆ Number Plate Capture
- ◆ 2-15m Capture distance
- ◆ 15m IR range
- ◆ 9-22mm Motorised Zoom
- ◆ 4-in-1 (AHD/TVI/CVI/CVBS)

OTHER FEATURES

- ◆ 0 Lux
- ◆ Dip switch on fly lead to change video signal
- ◆ IP66 Ingress Protection
- ◆ IK10 Vandal Resistance



Four-in-one solution

Don't be tied down to any single platform. With 4-in-1 cameras, you have the freedom to install whichever CCTV platform you like. Whether you install AHD, TVI, CVI or traditional analogue systems. The AIR4528NPC-AHD makes use of dip switch configuration on the fly lead of the camera to change between video outputs.



Number plate capture

This camera is automatically configured for Number Plate Capture settings, no additional work or configuration is necessary after the camera is installed. For optimum number plate capture position the camera at a height of 1.5m and an angle to the side of the number plate of 8°-35°.



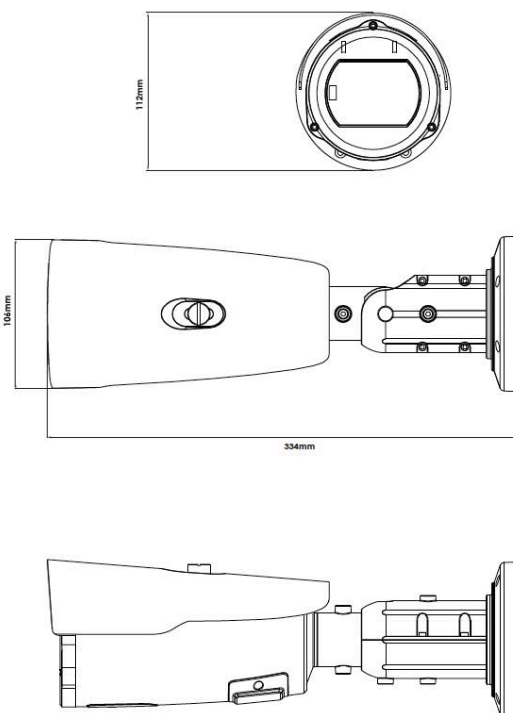
AIR4528NPC-AHD

Concept Pro 2MP NPC AHD Motorised External Bullet Camera

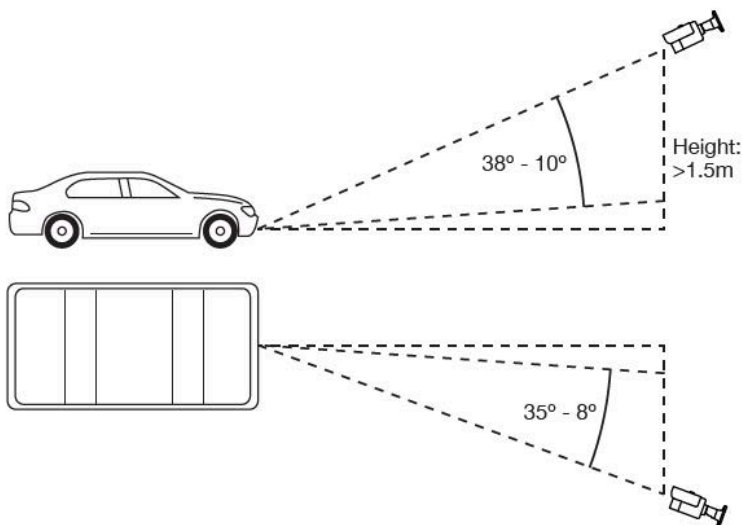
SPECIFICATION

Max NPC Speed	55MPH (90km/h)
NPC Distance	2~15m (6.56~49.18ft)
IP Rating	IP66
Type	Colour/Monochrome
Signal System	NTSC/PAL
Pick Up Device	1/2.9" 2.2 Mega Pixels CMOS
Picture Elements	1920(H)X1080(V)
Resolution	1080p
Min Illumination	0 Lux (30 pcs super high power IR LED on)
S/N Ratio	≥52dB
Lens	9-22mm Auto iris IR Lens
3D/2D	On
SENS-UP	Off
IR SMART	On
White Balance	ATW
Back Light Compensation	Off
DWDR	Off
Video Out-put	4 in 1 (HD-AHD/HD-TVI/HD-CVI/CVB)
Power Supply	DC12V ±10%
Current Consumption	500mA(MAX)
IR Effect Distance	2~15m(6.56~49.18ft) Outdoor)
Dimension	334x106x112mm
Weight	1650g
Storage Temperature	-30 + 60c (-22 +140f)
Operating Temperature	-30 + 40c (-22 +104f)

DIMENSIONS



DIAGRAM



ALTERNATIVE NUMBER PLATE CAPTURE CAMERAS

- **AIR4528-IP4M** Concept Pro Housed AIR IP 2.8- 12mm VF DN 4MP POE 12VDC 45M
- **CVP9324DNIR-IP4M** Concept Pro Dome IR ARC IP 3.3-12mm VF DN 1080P 4MP SVO, POE, 12V DC
- **AIR8012M-IP3M-Z** Concept Pro Housed AIR IP Motorised 4.7- 56.4mm RS485 VF DN 3MP POE 12VDC 80M

The Concept Pro AIR IP camera range requires a simple change in settings

RECOMMENDED ACCESSORIES

- **RG59K** Black Coax Cable Available in 100m, 250m, 500m.

COMPATIBLE WITH



VXHAHD
4, 8 & 16 channel